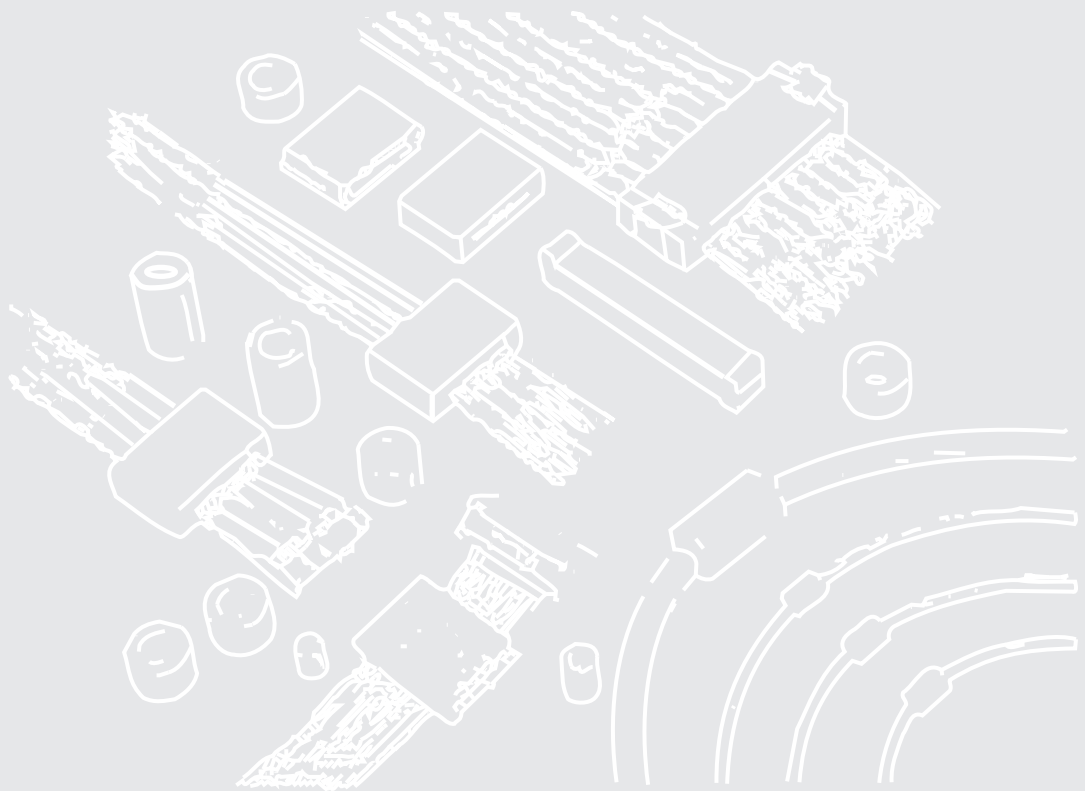


# Cable Shielding

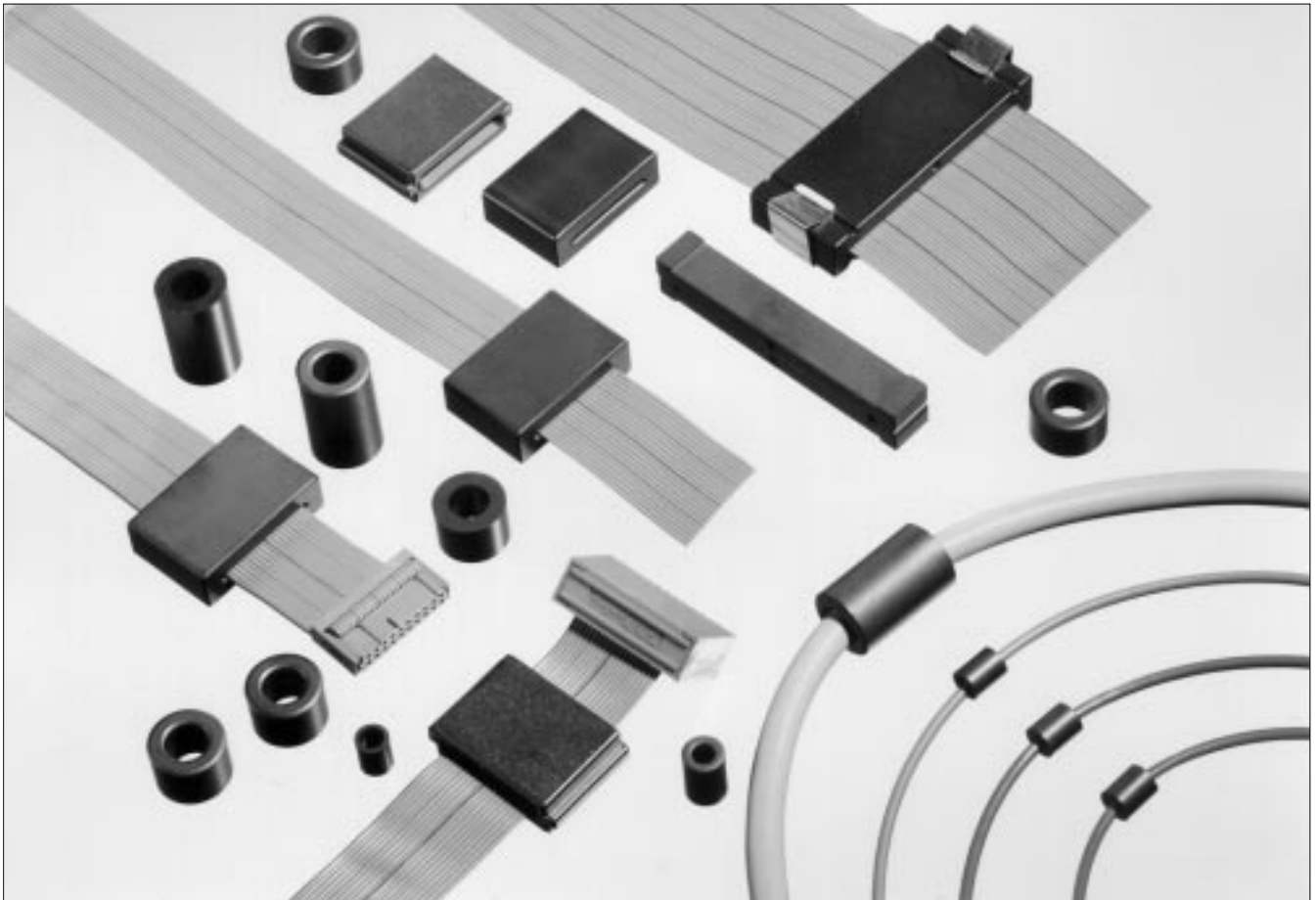


*Let's make things better.*

# Cable Shielding

## Contents

Introduction	3
EMI suppression and cable shielding with ferrites	4
Ferrite selection	6
Material properties	7
Ferrite core and its impedance behaviour	11
Ferrite location	12
Impedance concept	13
Attenuation concept	16
Product range	17



*Our range of ferrite cable shields*

# Introduction

Electromagnetic interference problems can arise anywhere since electromagnetic energy can unpredictably couple into systems, producing unwanted effects.

Electromagnetic interference occurs when three elements come together:

- a source of interference
- a receiver of the interference
- a path of transfer.

According to this simple scheme, minimizing the electromagnetic interference can be attained by eliminating one of the three elements:

- suppressing the source
- protecting the receiver against noise
- reducing the interference transmission.

This brochure concentrates on one of the elements: **transmission of interference**

Any device which suppresses noise between the source and the receiver acts as an EMI shield.

Interferences can propagate in different ways:

- By **radiation** as an electromagnetic wave in free space. Suppression then requires shielding with conductive or absorbing materials.
- By **conduction** via a conductive path. The suppression solution is **ferrites** in the form of beads or cable shields

Conductive coupling is the most common way an interference signal is transmitted to a system.

When studying an interference problem, very often attention is focused on critical components, while system cables are overlooked.

A cable can pick up some noise and bring it to other areas traversed by the cable.

With today's regulations (VDE in Germany, FCC in USA, VCCI in Japan), all electric and electronic products, no matter how trivial they seem to be, have to comply with certain EMC limits, both for emission and reception.

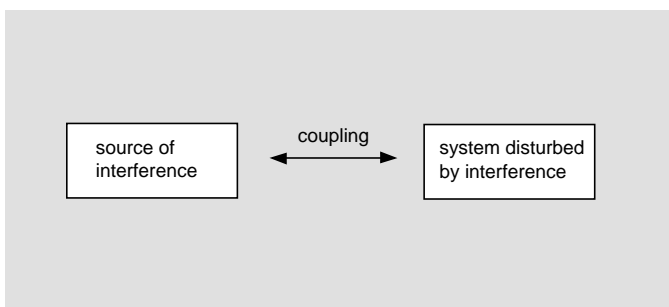
There is a need to suppress common mode EMI not only on internal, but also on external cables of electronic equipment.

**PHILIPS COMPONENTS** developed a new range of cable shielding products.

There are tubular cable shields for coaxial cable and rectangular cores for flat ribbon cables. Also split types for retrofit solutions are available.

These EMI products provide a high impedance level over a wide frequency range.

Ferrite cable shields are cost-effective, as they suppress any electromagnetic noise and reduce the need for other, more complicated, shielding measures.



*Fig.1 Interference schematic*

## EMI suppression and cable shielding with ferrites

Ferrite shields provide an excellent method to suppress conducted interferences on cables. Cables can act as antennas and radiate RFI power at frequencies above 30MHz. They are a cost-effective alternative to other suppression solutions, like EMI filters or complete shielding.

Applications for cable shielding are found in telecommunication, instrumentation, electronic data processing (EDP) in places like:

- Internal and external computer data cables (for monitors, printers, CPU, keyboards...)
- Internal and external power cables
- Internal floppy disk and hard disk ribbon cables
- Cables between PC board and data connectors, ...

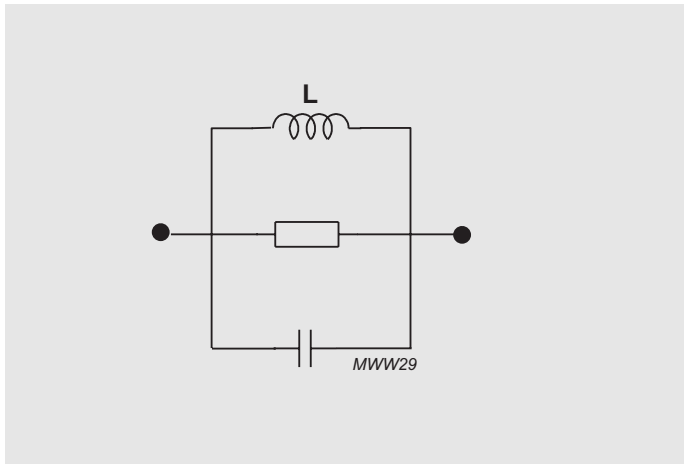


Fig.2 Equivalent circuit of ferrite suppressor

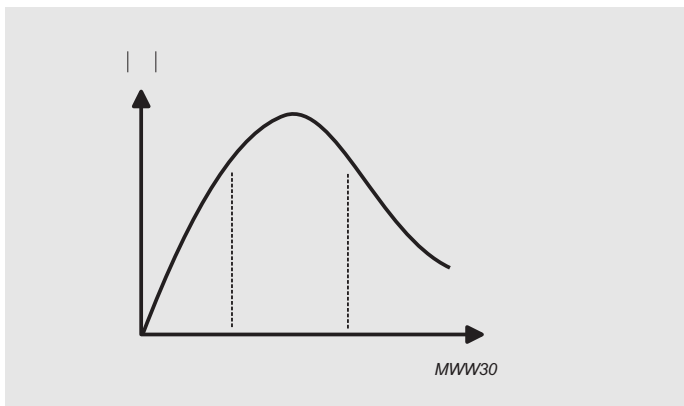


Fig.3 Impedance versus frequency

Low frequency signals are not affected by a cable shield. At low frequencies a ferrite core causes a low-loss inductance, resulting in a minor increase of impedance ( $Z=\omega L$ ). Interferences normally occur at elevated frequencies and there the picture changes. Magnetic losses start to increase and at the frequency of the so called ferrimagnetic resonance permeability drops rapidly to zero while the impedance reaches a maximum. This impedance, the most important parameter for suppression, becomes almost completely resistive and at very high frequencies even capacitive with losses. While for inductor applications the operating frequency should stay well below the resonance, effective interference suppression is achieved up to much higher frequencies. The impedance peaks at the resonance frequency and the ferrite is effective in a wide frequency band around it.

Around its ferrimagnetic resonance the impedance of a ferrite core is largely resistive, which is a favourable characteristic for several reasons:

- A low-loss inductor can resonate with a capacitance in series, leading to almost zero impedance and interference amplification. A more resistive impedance cannot resonate and is reliable independent of source and load impedances.
- A resistive impedance dissipates interfering signals rather than reflecting them to the source. Oscillations at high frequency can damage semiconductors or affect circuit operation and therefore it is better to absorb them.
- The shape of the impedance curve changes with material losses. A lossy material will show a smooth variation of impedance with frequency and a real wideband attenuation. Interference signals often occur in a broad spectrum.

Often EMI suppression is required on cables carrying DC or AC power. In that case *current compensation* is needed to avoid saturation of the ferrite which would result in loss of impedance.

Current compensation is based on the principle that in cables passing through a ferrite core the carried load and signal currents are generally balanced. These currents generate opposed fluxes of equal magnitude that cancel out and no saturation occurs.

EMI signals however usually travels in the same direction on all conductors (common mode). They cause flux in the ferrite and will be suppressed by the increased impedance.

For high frequency signals, current compensation is a beneficial effect for other reasons than saturation.

In an I/O cable the regular RF signal could be suppressed together with the interference. Since the actual signal is differential mode, current compensation avoids this unwanted damping effect on the actual signal.

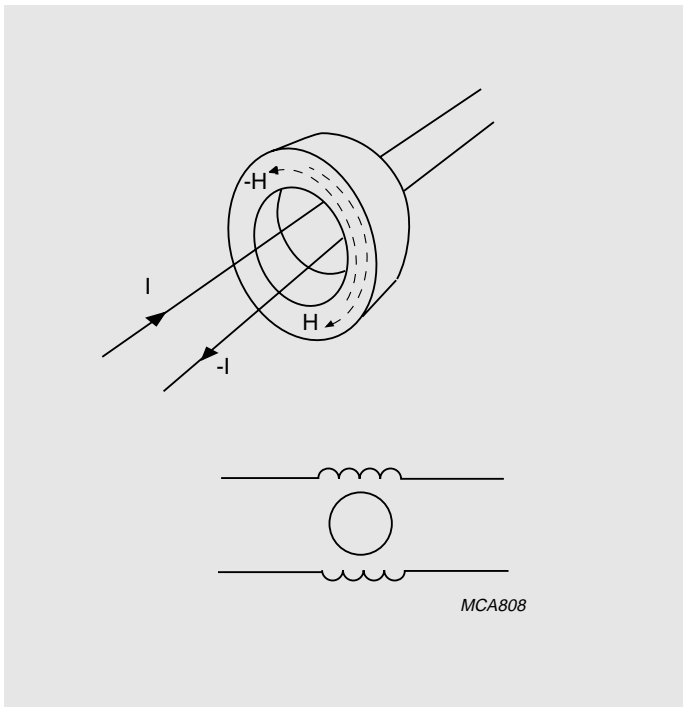
A cable shield is mainly active against common-mode interference, although its small stray inductance will also have some effect against differential-mode interference. Ferrite products for cable shielding are available in different shapes and can be:

- **Entire**, for mounting during manufacturing.

Ferrite cores can for instance be embedded in the plastic cover of the cable or shifted on before mounting the connectors.

- **Split**, for mounting on existing cables.

This type of product was developed for easy installation when the interference problem is detected after final design. The gap between halves has only little influence on the magnetic performance. Impedance is hardly affected, while current handling capability increases. The two halves are mounted with special clips or plastic cases.



*Fig.4 Current compensation in a ferrite ring core*

## Ferrite selection

When selecting a ferrite cable shield to solve an interference problem it is necessary to consider some important application aspects:

- The frequency where maximum attenuation is needed will determine material requirements. The most suitable ferrite would offer the highest impedance levels at the interference frequencies, which usually cover a broad spectrum.
- Core shape, which is usually defined by the cable type.
- Installation requirements to decide on an entire or split core type.
- Attenuation/impedance level for maximum suppression.
- Ferrite characteristics as a function of operating conditions. Impedance can vary with temperature or DC current.

## Material characteristics

NiZn ferrites used to be the only suitable material for EMI suppression up to GHz frequencies. Their high resistivity ( $10^5 \Omega\text{m}$ ) ensures that eddy currents can never be induced in these ferrites. As a result they maintain an excellent magnetic performance up to very high frequencies.

The new MnZn material **3S4**, however, does suppress EMI up to frequencies of 1GHz and higher, making it an attractive alternative to NiZn materials.

Up to now the low resistivity of MnZn ferrites (1 to  $10 \Omega\text{m}$ ) has limited their operation to a maximum of about 30MHz. With **3S4** precise control of material composition has resulted in an increase of its resistivity to a value of  $10^3 \Omega\text{m}$ , intermediate between the standard MnZn and NiZn grades, but high enough for effective RFI-suppression into the GHz region.

Additional advantage of **3S4** is that it does not contain nickel which is a heavy metal and therefore a potential hazard to the environment. Also, its high permeability gives it excellent low-frequency characteristics.

# 3S4

SYMBOL	CONDITIONS	VALUE	UNIT
$\mu_i$	25°C; $\leq 10\text{kHz}$ ; 0.1mT	$\approx 1700$	
B	25°C; 10kHz; 250A/m	$\approx 300$	mT
	100°C; 10kHz; 250A/m	$\approx 140$	
$ Z $ (1)	25°C; 3MHz	$\geq 25$	$\Omega$
	25°C; 30MHz	$\geq 60$	
	25°C; 100MHz	$\geq 80$	
	25°C; 300MHz	$\geq 90$	
$\rho$	DC; 25°C	$\approx 10^3$	$\Omega\text{m}$
$T_c$		$\geq 110$	°C
Density		$\approx 4800$	$\text{kg/m}^3$

(1) Measured on a bead  $\varnothing 5 \times \varnothing 2 \times 10\text{mm}$

Characteristics refer to a standard, non-finished ring core of dimensions 25/15/10 mm for all properties, except for impedance, which is measured on a bead  $\varnothing 5 \times \varnothing 2 \times 10\text{mm}$ .

Properties of other products made from this material may be different, depending on shape, size or finishing.

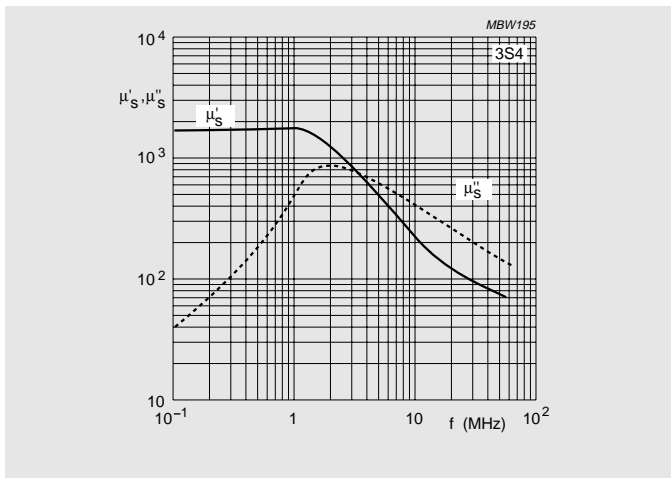


Fig. 5 Complex permeability as a function of frequency

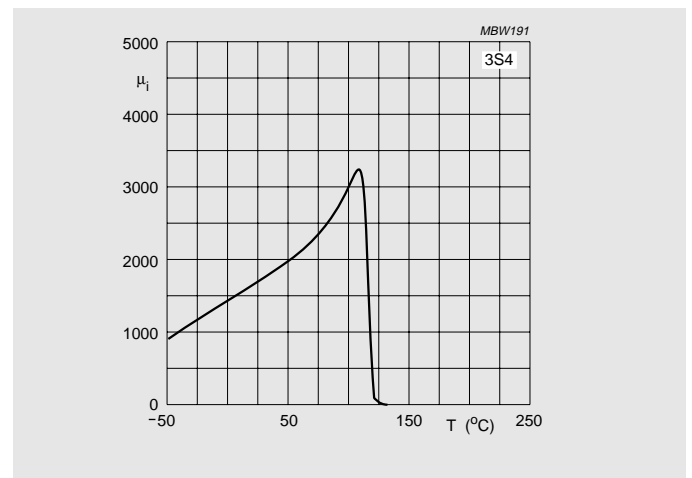


Fig. 6 Initial permeability as a function of temperature

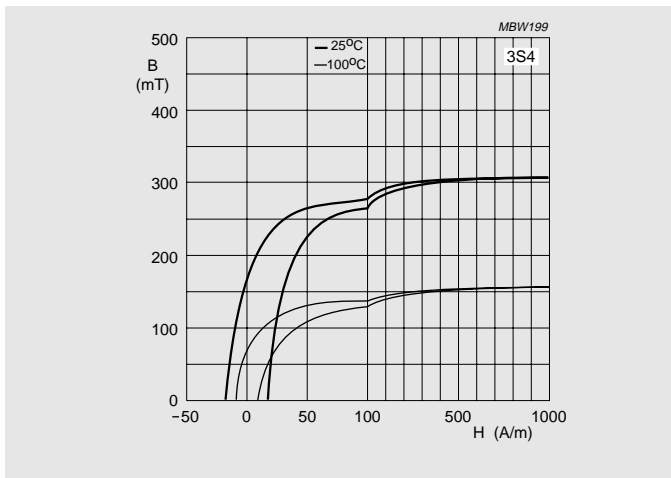


Fig. 7 Typical B-H loops

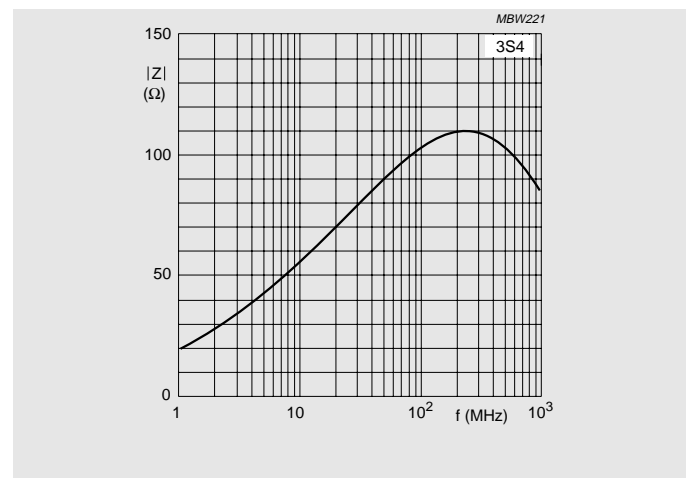


Fig. 8 Impedance as a function of frequency



# 4S2

SYMBOL	CONDITIONS	VALUE	UNIT
$\mu_i$	25°C; $\leq 10\text{kHz}$ ; 0.1mT	$\approx 700$	
B	25°C; 10kHz; 250A/m	$\approx 270$	mT
	100°C; 10kHz; 250A/m	$\approx 180$	
Z  (1)	25°C; 30MHz	$\geq 50$	$\Omega$
	25°C; 300MHz	$\geq 90$	
$\rho$	DC; 25°C	$\approx 10^5$	$\Omega\text{m}$
Tc		$\geq 125$	°C
Density		$\approx 5000$	$\text{kg/m}^3$

(1) Measured on a bead  $\varnothing 5 \times \varnothing 2 \times 10\text{mm}$

Characteristics refer to a standard, non-finished ring core of dimensions 25/15/10 mm for all properties, except for impedance, which is measured on a bead  $\varnothing 5 \times \varnothing 2 \times 10\text{mm}$ .

Properties of other products made from this material may be different, depending on shape, size or finishing.

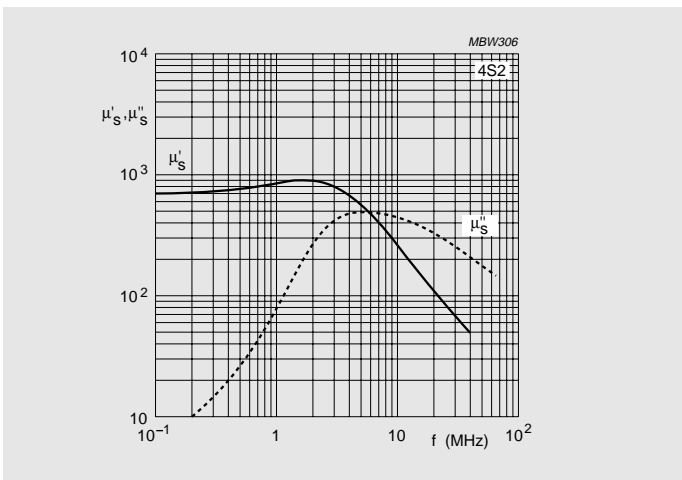


Fig.9 Complex permeability as a function of frequency

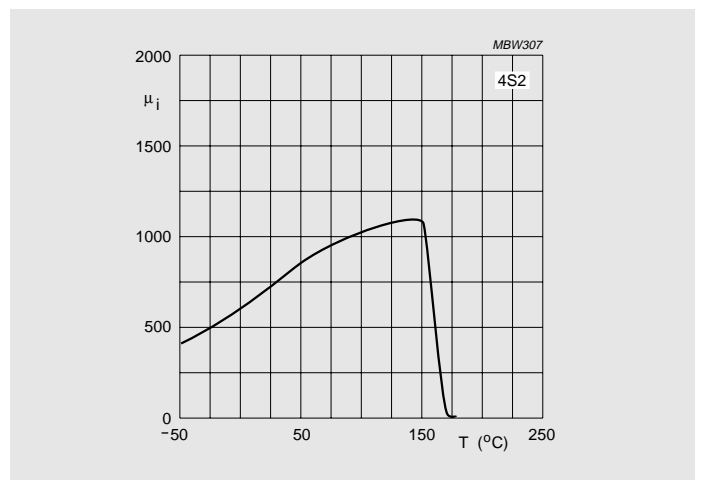


Fig.10 Initial permeability as a function of temperature

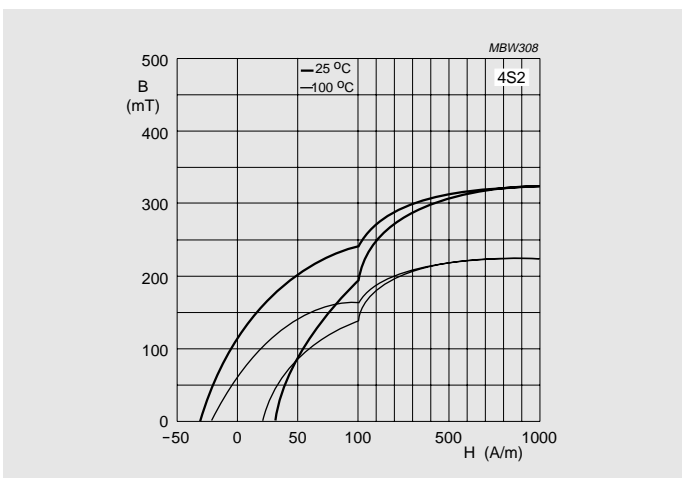


Fig.11 Typical B-H loops

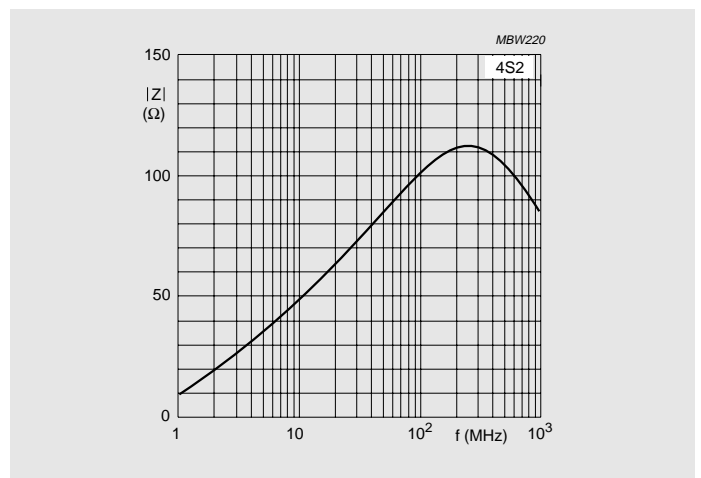


Fig.12 Impedance as a function of frequency

# 4A11

SYMBOL	CONDITIONS	VALUE	UNIT
$\mu_i$	25°C; $\leq 10\text{kHz}$ ; 0.1mT	$700 \pm 20\%$	
B	25°C; 10kHz; 250A/m	$\approx 270$	mT
	100°C; 10kHz; 250A/m	$\approx 180$	
$\tan\delta/\mu_i$	25°C; 1MHz; 0.1mT	$\leq 100 \cdot 10^{-6}$	
	25°C; 3MHz; 0.1mT	$\leq 1000 \cdot 10^{-6}$	
$\rho$	DC; 25°C	$\approx 10^5$	$\Omega\text{m}$
$T_c$		$\geq 125$	°C
Density		$\approx 5100$	$\text{kg/m}^3$

Characteristics refer to a standard, non-finished ring core of dimensions 25/15/10 mm for all properties,  
 Properties of other products made from this material may be different, depending on shape, size or finishing.

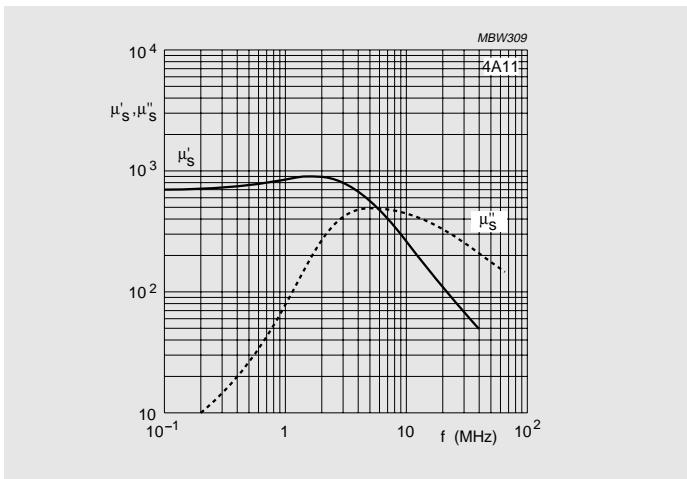


Fig. 13 Complex permeability as a function of frequency

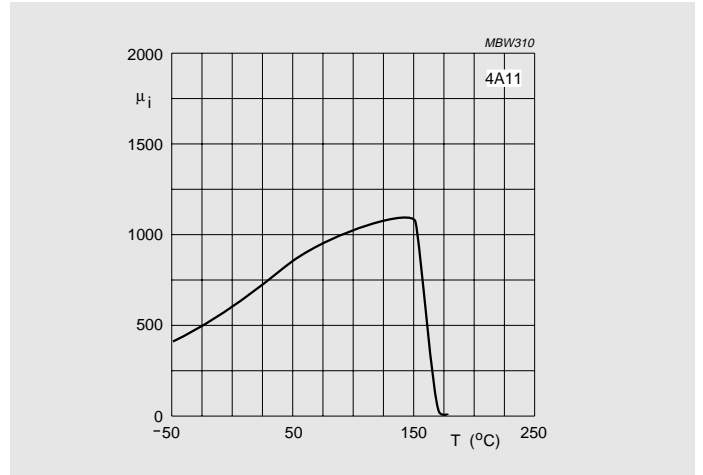


Fig. 14 Initial permeability as a function of temperature

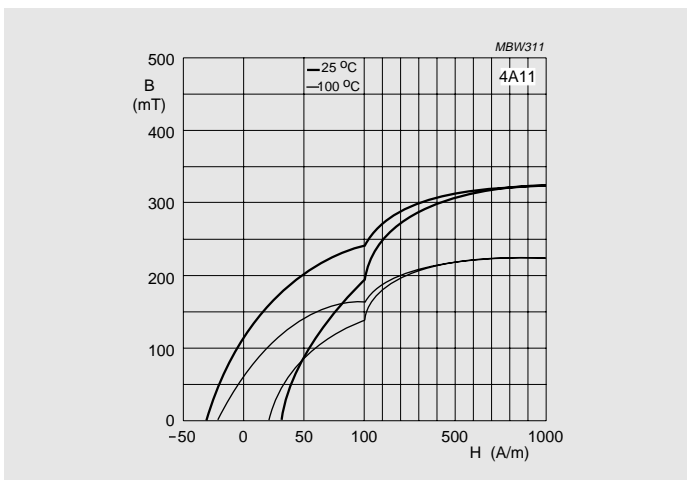


Fig. 15 Typical B-H loops

<b>4C65</b>			
<b>SYMBOL</b>	<b>CONDITIONS</b>	<b>VALUE</b>	<b>UNIT</b>
$\mu_i$	25°C; $\leq 10\text{kHz}$ ; 0.1mT	$125 \pm 20\%$	
B	25°C; 10kHz; 250A/m	$\approx 300$	mT
	100°C; 10kHz; 250A/m	$\approx 250$	
$\tan\delta/\mu_i$	25°C; 3MHz; 0.1mT	$\leq 80 \cdot 10^{-6}$	
	25°C; 10MHz; 0.1mT	$\leq 130 \cdot 10^{-6}$	
$\rho$	DC; 25°C	$\approx 10^5$	$\Omega\text{m}$
Tc		$\geq 350$	°C
Density		$\approx 4500$	$\text{kg/m}^3$

Characteristics refer to a standard, non-finished ring core of dimensions 25/15/10 mm for all properties,  
 Properties of other products made from this material may be different, depending on shape, size or finishing.

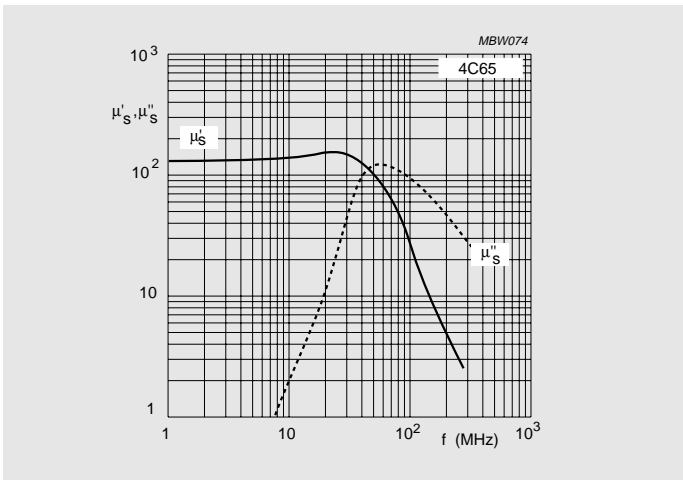


Fig. 16 Complex permeability as a function of frequency

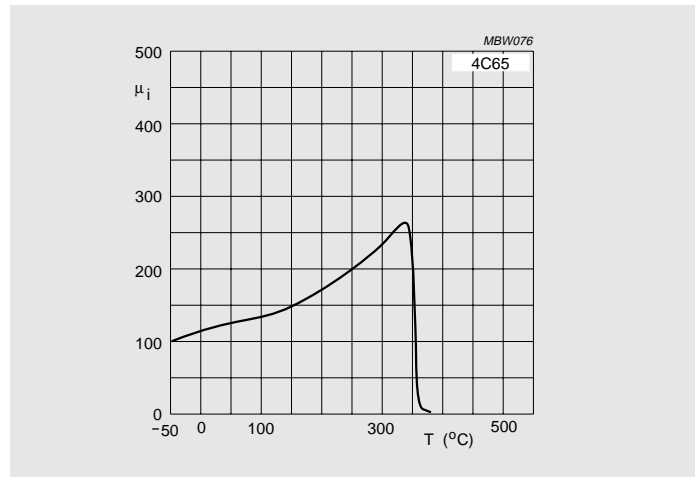


Fig. 17 Initial permeability as a function of temperature

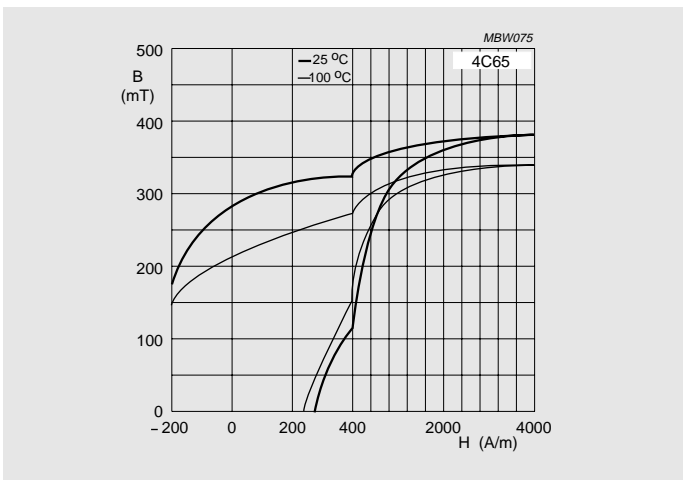


Fig. 18 Typical B-H loops

# Ferrite core and its impedance behaviour

The selection of the core type aims at optimising the suppression performance.

- The **inside diameter** is fixed by the cable dimensions. The ferrite should fit closely around the cable to avoid loss of impedance.
- **Impedance** increases mainly with the length of a cable shield or the number of shields. It depends linearly on length and only logarithmically on the outer dimensions. (see page 10)

The most suitable ferrite core will be the largest type with an inner diameter matching the cable outer dimensions. But only if a large size and weight are no problem.

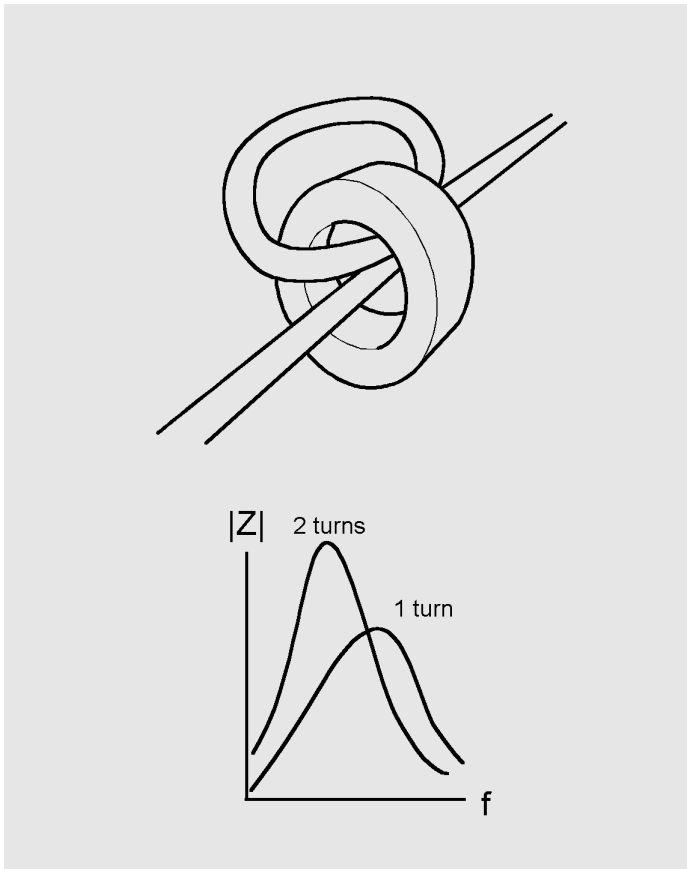
For costs reasons often a smaller size with good suppression properties is preferred.

A simple solution for flexible cable is to wind a few turns on a ring core. The large inner diameter (not fitting the cable) and their shorter length are compensated by using more than one turn:

$$Z \propto N^2$$

where N is the number of turns.

It is not recommended to use more than 2 turns on a ferrite core. Although the higher number of turns results in more impedance, the parasitic inter winding capacitance, which is also proportional to the number of turns, will decrease the frequency where peak impedance occurs. This results in a worse performance at higher frequencies.

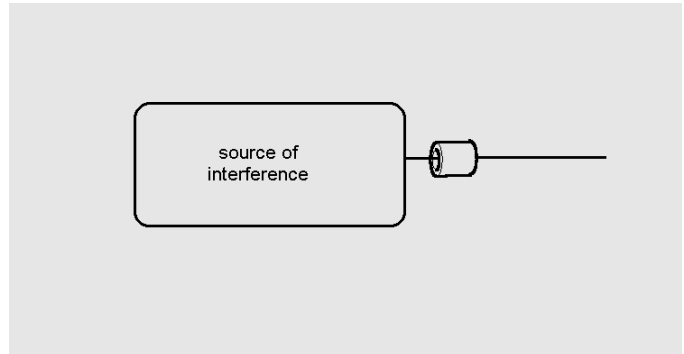


*Fig.19 Two turns of cable through a ferrite cable shield*

## Ferrite location

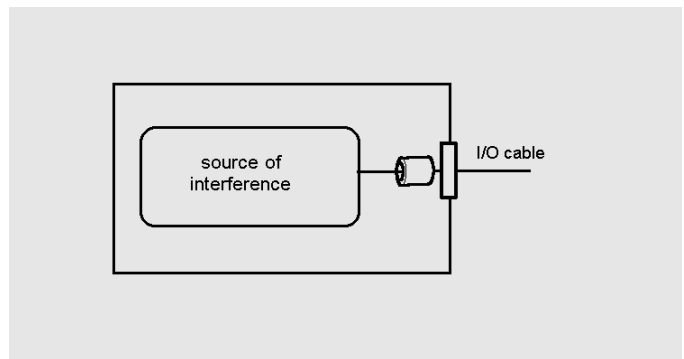
The position of a cable shield on the cable is an important issue for the best performance in the application.

For filtering purposes the ferrite suppressor should be fitted as close as possible to the source of interference.



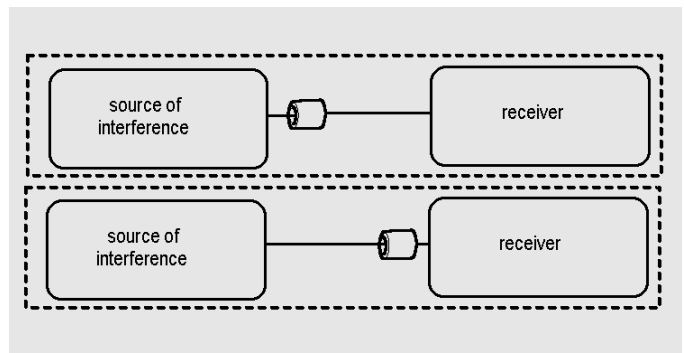
*Fig.20 Ferrite shield close to interference source*

When applied on an I/O cable, which passes through a connector of an enclosure, the ferrite shield should be fitted close to this connector. If not, the remaining length of cable can pick up EMI again before leaving the box.



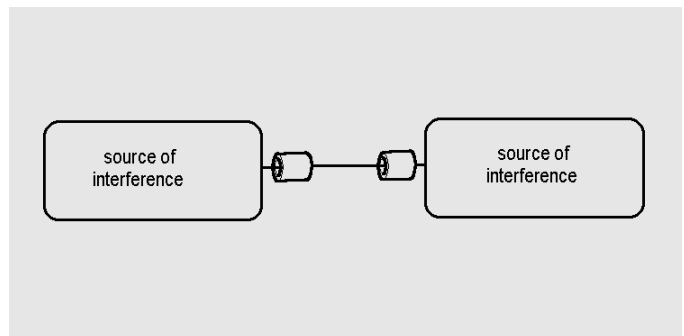
*Fig.21 Ferrite shield on I/O cable*

If two connected systems are completely enclosed the location of the ferrite core is not that critical, it can be somewhere along the cable.



*Fig.22 Position of ferrite shields in enclosed systems*

In the case of a cable connecting two EMI interference sources, both systems must be protected and shielded with ferrite cable shields.



*Fig.23 Ferrite shields between 2 EMI sources*

# The impedance concept

## Material and size

The impedance curve can be derived from a pure material curve, the so called complex permeability curve. As impedance consists of a reactive and a resistive part, permeability should also have two parts to represent this. The real part ( $\mu'$ ) corresponds to the reactance, and the imaginary part ( $\mu''$ ) to the losses.

$$Z = j\omega \cdot (\mu' - j\mu'') \cdot L_0 = \omega\mu'' \cdot L_0 + j\omega\mu' \cdot L_0$$

$$Z = R + jX \rightarrow R = \omega\mu'' \cdot L_0$$

$$X = \omega\mu' \cdot L_0$$

$$|Z| = \sqrt{(R^2 + X^2)} = \omega \cdot L_0 \sqrt{(\mu'^2 + \mu''^2)}$$

where:

$$\omega = 2\pi f$$

$$L_0 = \mu_0 \cdot N^2 \cdot A_e / l_e$$

$$\mu_0 = 4\pi \cdot 10^{-7}$$

N = number of turns

A<sub>e</sub> = effective area

l<sub>e</sub> = effective length

The simplest way to estimate the impedance of a product with different dimensions is taking the impedance curve of a reference core. Two factors have to be corrected: effective magnetic dimensions and number of turns.

$$Z \propto N^2 \cdot A_e / l_e$$

$$Z = Z_0 \cdot (N^2 / N_0^2) \cdot (A_e / A_{e0}) \cdot (l_{e0} / l_e)$$

where the parameters with index '0' correspond to the reference core. The number of turns 'N' is always an integer number. Half a turn geometrically is 1 turn magnetically. The effective magnetic dimensions 'A<sub>e</sub>' and 'l<sub>e</sub>' are calculated from geometric dimensions according to IEC norm 205. In the case of cylindrical symmetry an analytical formula exists:

$$A_e / l_e = L / (2\pi) \cdot \ln(D/d)$$

where:

D = outer diameter

d = inner diameter

L = height (length)

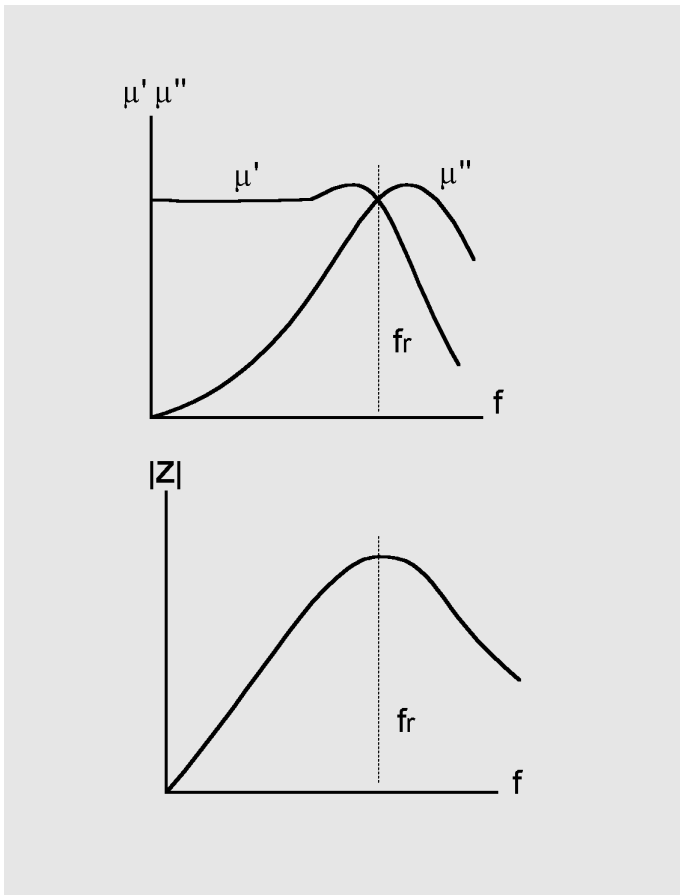


Fig.24 Complex permeability and impedance

## Bias current

Often a DC supply or AC power current is passing through the inductor to facilitate the regular operation of the connected equipment. This current induces a high field strength in the ferrite core, which can lead to saturation. When current compensation is not possible, the effects of the current have to be taken into account. Impedance then decreases along with permeability, especially in the low frequency region.

A solution is to compensate for the loss of impedance by increasing the length of the core (the longer the core, the higher the impedance). Another way to reduce the negative effect is to introduce a small gap in the ferrite core, but this is only feasible in the bisected types.

The influence of bias current can be calculated rapidly. The induced field strength is directly proportional to the current:

$$H = N \cdot I / l_e$$

Whether this field causes a significant saturation or not, can be seen in a curve of inductance versus bias field. However, this only indicates the decrease of impedance at low frequency. Impedance at high frequency decreases less.

Again, impedance can be calculated from reference curves if they show impedance versus frequency with bias current as a parameter. First, the bias current is translated to the current that would induce the same field strength in the reference core, and thus the same amount of core saturation:

$$I_0 = I \cdot (N / N_0) \cdot (l_{e0} / l_e)$$

For a ring core, tube or bead the effective length is:

$$l_e = \pi \cdot \ln (D / d) / (1/d-1/D)$$

Now the relative impedance decrease must be the same:

$$Z_{\text{bias}} = Z \cdot (Z_0 \text{ bias} / Z_0)$$

with Z again equal to:

$$Z = Z_0 \cdot (N^2 / N_0^2) \cdot (A_e / A_{e0}) \cdot (l_{e0} / l_e)$$

In the graphs below some curves of typical impedance with and without DC current are presented.

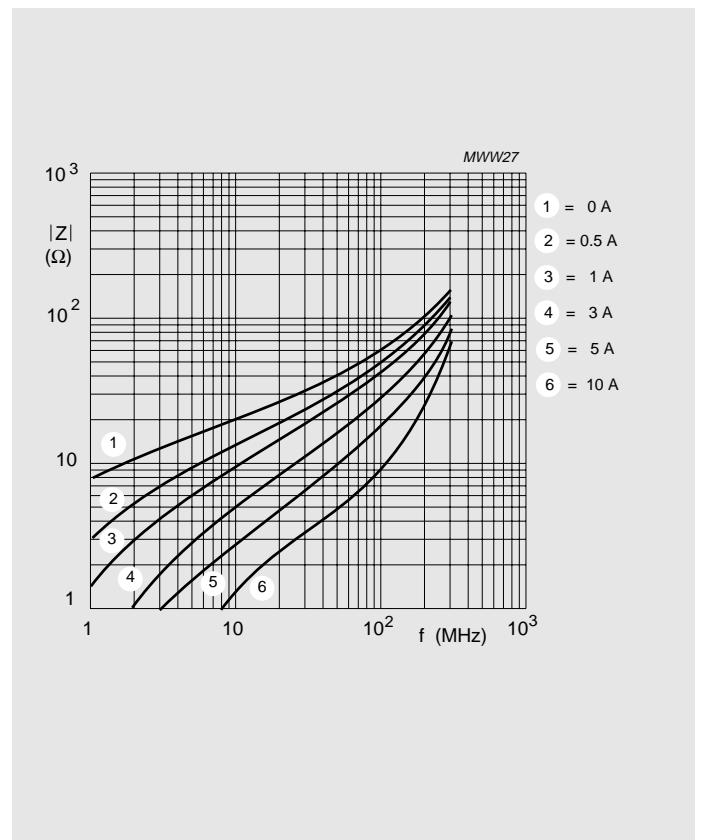


Fig.25 Impedance under bias conditions for CST7.8/5.3/9.8-3S4

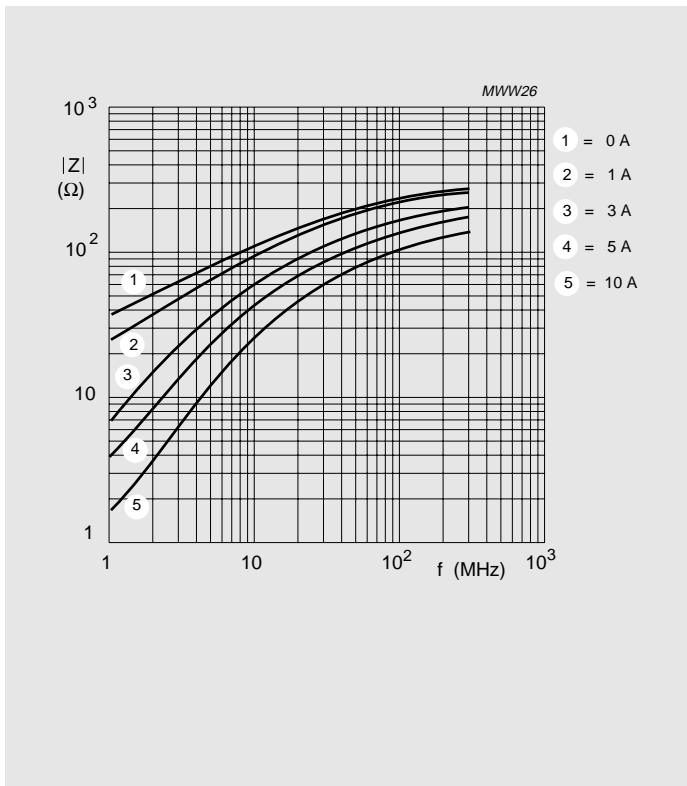


Fig.26 Impedance under bias conditions for CST17/9.5/29-3S4

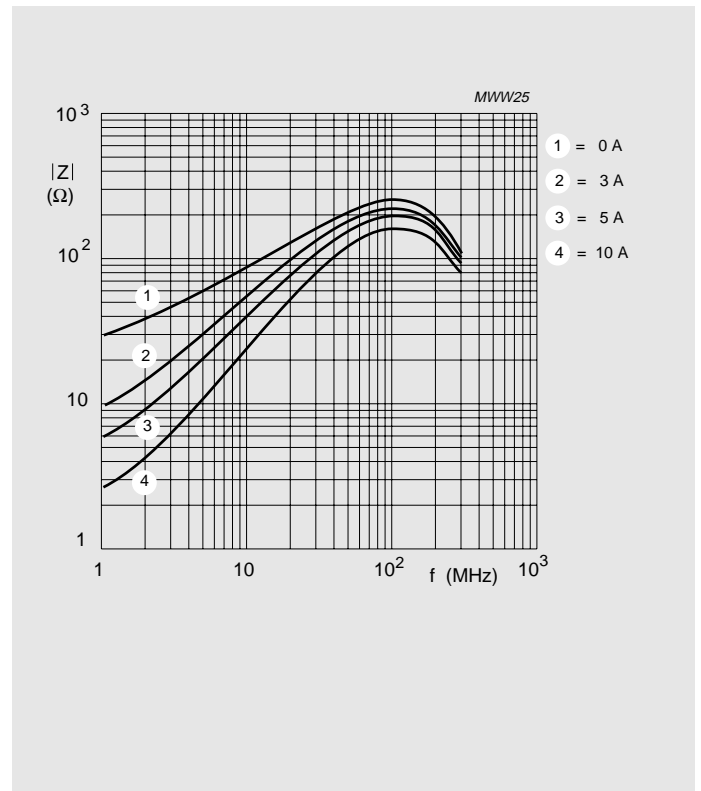


Fig.27 Impedance under bias conditions for CSF38/12/25-3S4

### Temperature effects

Since impedance is directly depending on permeability and losses, it is also important to evaluate the effects of temperature on the intrinsic material parameters.

The behaviour of permeability versus temperature is shown in the material graphs on page 7 through 10. In the graphs below it is shown how this effects the impedance behaviour of some cable shields.

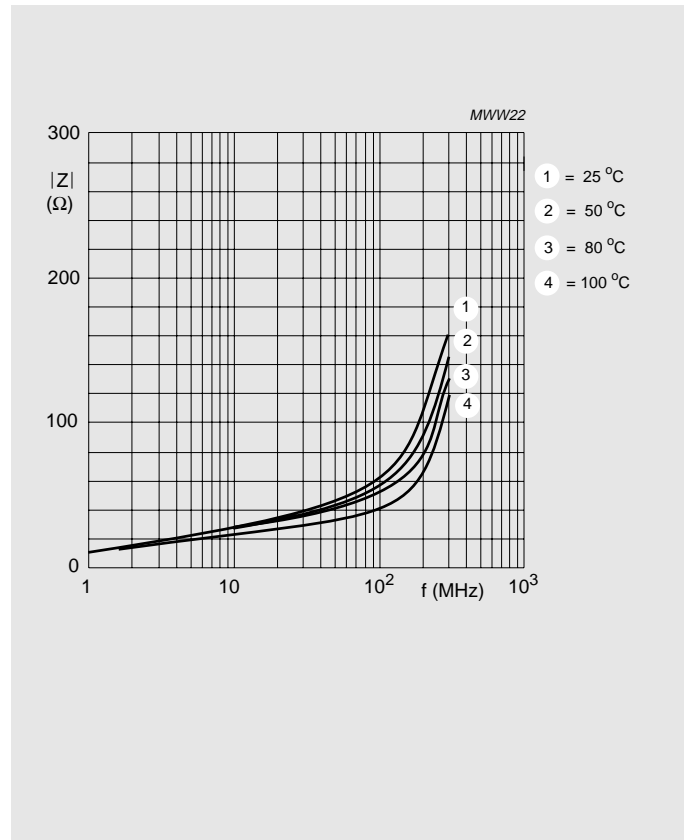


Fig.28 Impedance at several temperatures for CST7.8/5.3/9.8-3S4

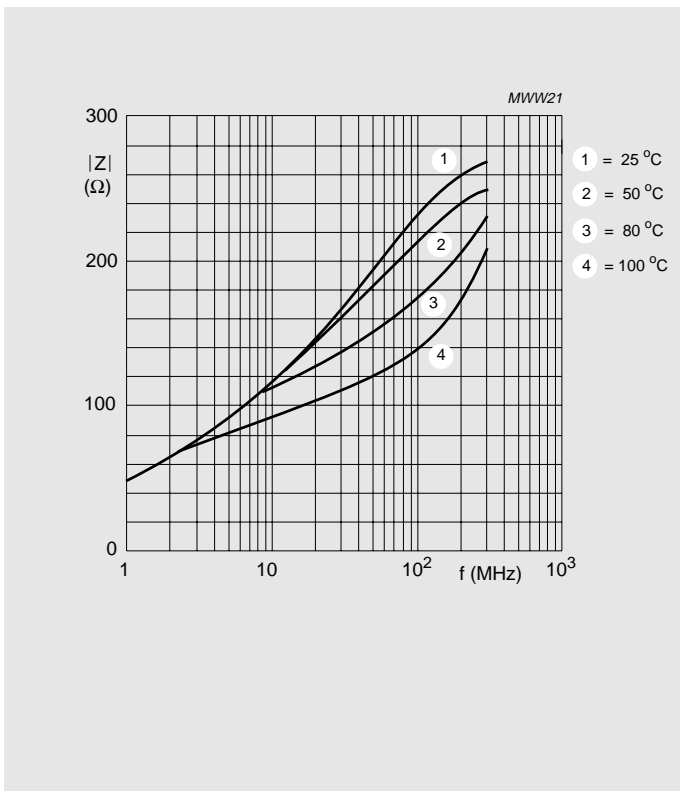


Fig.29 Impedance at several temperatures for CST17/9.5/29-3S4

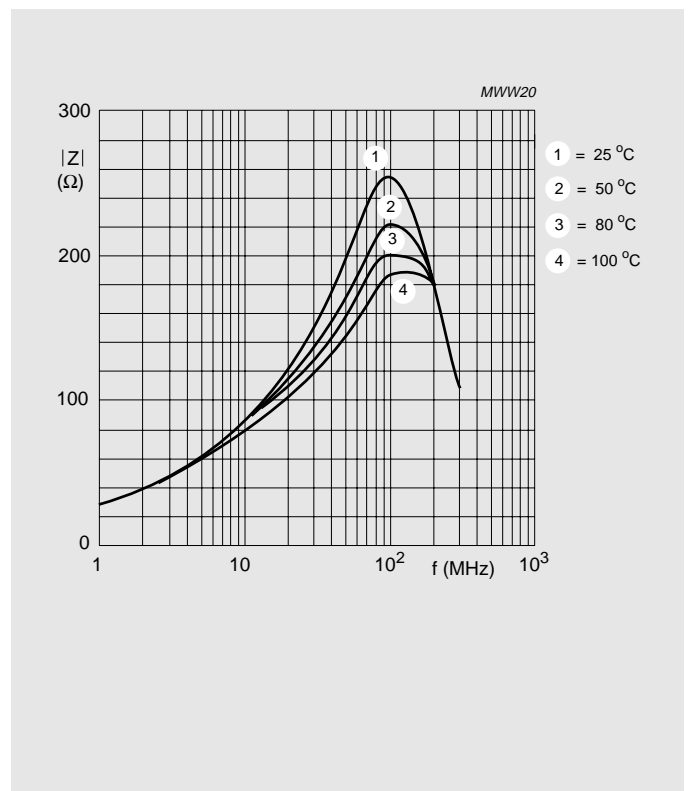


Fig.30 Impedance at several temperatures for CSF38/12/25-3S4



## Attenuation concept

When it is necessary to express the effectiveness of a suppressor in decibels (dB), impedance should be converted to insertion loss.

Insertion loss is the ratio of the resulting voltage over the load impedance without and with a suppression component:

$$IL = 20 \cdot \log (E_0/E)$$

$$IL = 20 \cdot \log |Z_G + Z_L + Z_S| / |Z_G + Z_L|$$

where:

E = load voltage with inductor

E<sub>0</sub> = load voltage without inductor

For a 50Ω /50Ω system:

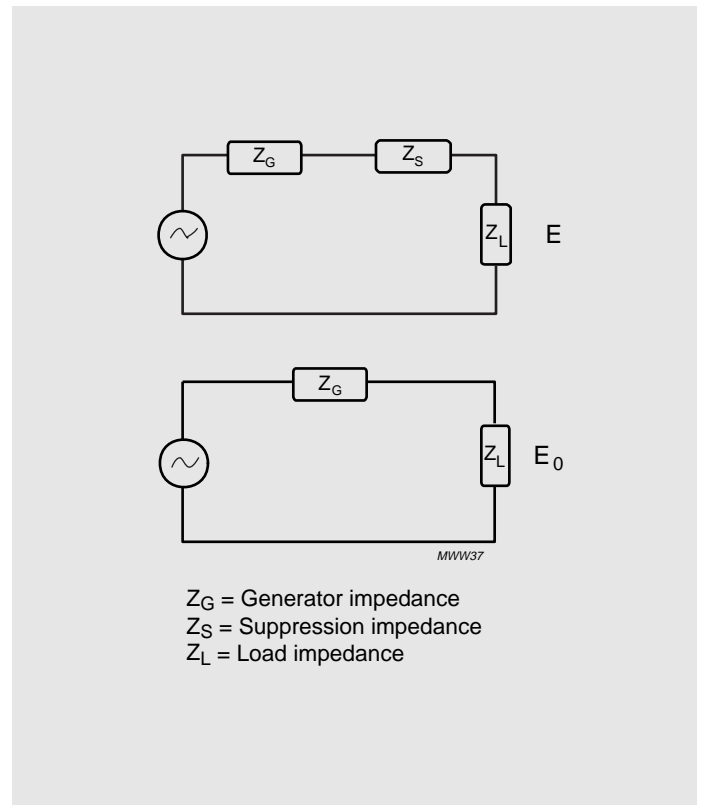
$$IL = 20 \cdot \log(1 + Z/100) \text{ dB}$$

The decibel seems a practical unit because interference levels are usually expressed in it, but be aware that insertion loss depends on source and load impedance. So it is not a pure product parameter like impedance. In the application source and load will not normally be a 50 Ω fixed resistor. They might be reactive, frequency dependent and quite different from 50Ω.

### Conclusion:

*Insertion loss is a standardized parameter for comparison, but it will not predict directly the attenuation in the application since it is not a pure product parameter.*

It is recommended to check the attenuation values by tests on the real circuit to find deviations caused by actual system impedances. The lower the circuit impedance, the higher the attenuation with the same ferrite core will be.



*Fig.31 Suppression basics*

# Cable Shields for Round Cables

## Split types with nylon cases

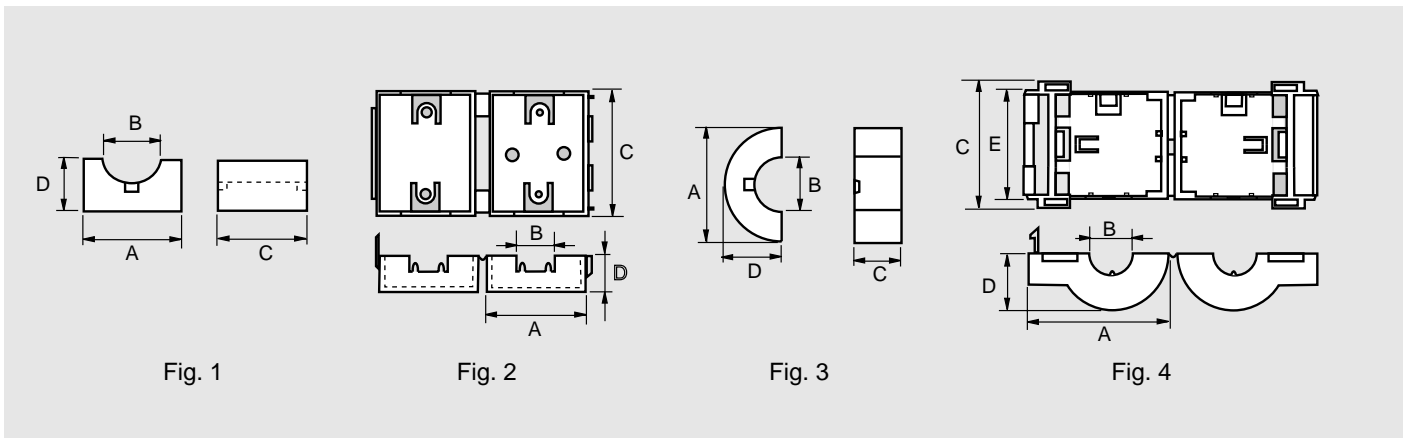


Fig.32 Cable shields for round cables with matching plastic cases.

Type number	Fig	Ferrite dimensions (mm)				E	Z <sub>typ</sub> * (ohms)	
		A	B	C	D		25MHz	100MHz
CSA15/7.5/29-4S2-EN	1	15±0.25	6.6±0.3	28.6±0.8	7.5±0.15		165	275
CSA15/7.5/29-4S2	1	15±0.25	6.6±0.3	28.6±0.8	7.5±0.15		165	275
	2	17.9	7.0	32.3	9.2	9.0		
CSA19/9.4/29-4S2-EN	1	18.65±0.4	10.15±0.3	28.6±0.8	9.4±0.15		140	225
CSA19/9.4/29-4S2	1	18.65±0.4	10.15±0.3	28.6±0.8	9.4±0.15		140	225
	2	22.1	10.2	32.3	11.7	9.0		
CSA26/13/29-4S2-EN	1	25.9±0.5	13.05±0.3	28.6±0.8	12.95±0.25		155	250
CSA26/13/29-4S2	1	25.9±0.5	13.05±0.3	28.6±0.8	12.95±0.25		155	250
	2	29.0	13.4	32.5	14.8	18.0		
CSC16/7.9/14-4S2-EN	3	15.9±0.4	7.9±0.3	14.3±0.4	7.95±0.2		50	113
	4	24.7	7.6	22.8	10.2	17.8		

\* Minimum allowed Z is typical -20%

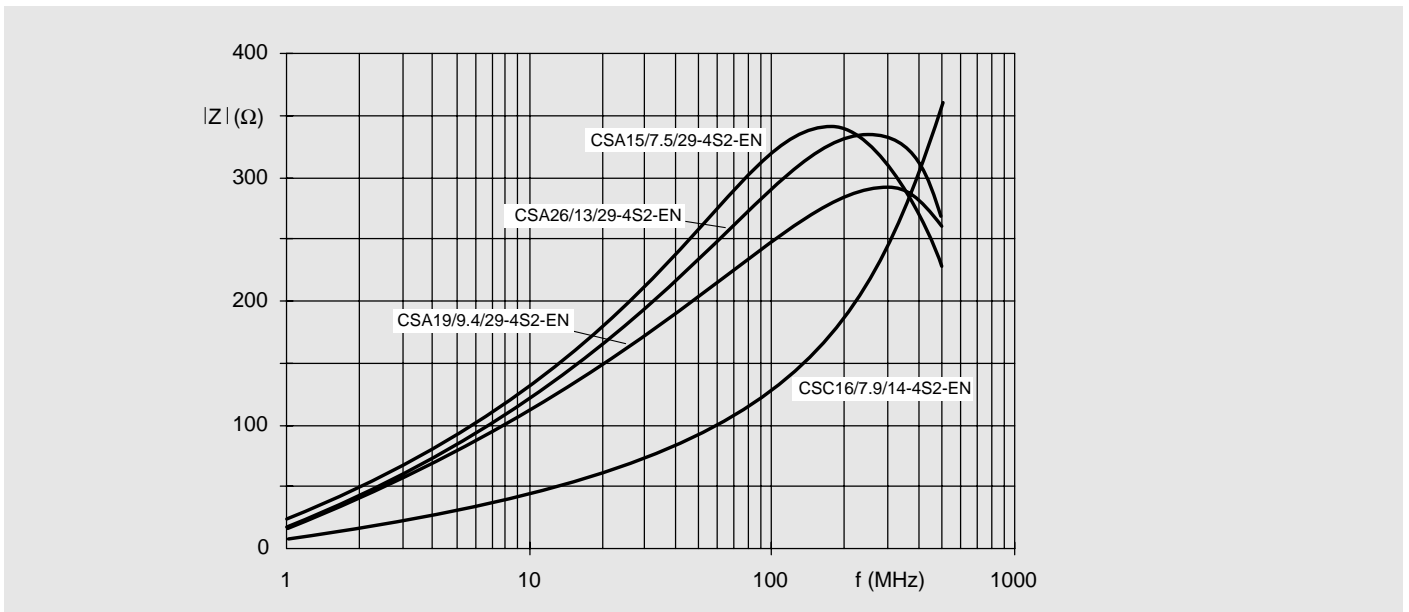
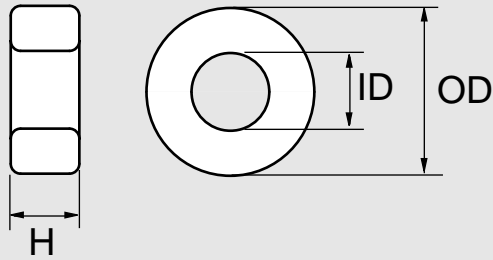


Fig.33 Impedance of split type cable shields as a function of frequency.

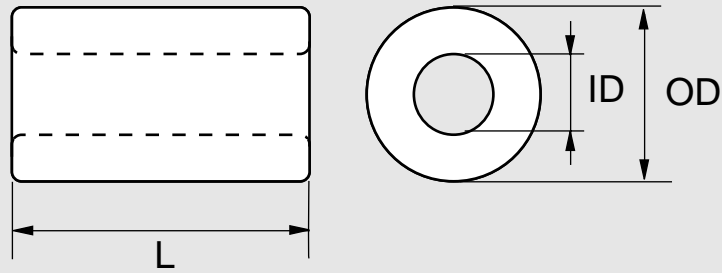
## Ring Cores (Toroids)



*Fig.34 Outline of ring cores suitable as cable shields.*

Type number	Dimensions (mm)			AL (nH) ±25%
	OD	ID	H	
T23/14/7-3S4	23±0.5	14±0.35	7±0.2	1180
T26/14/7-4C65	23±0.5	14±0.35	7±0.2	87
T36/23/15-4C65	36±0.7	23±0.5	15±0.3	170
T36/23/15-4A11	36±0.7	23±0.5	15±0.3	940
T58/32/18-3S4	58.3±1	32±0.7	18±0.5	3670

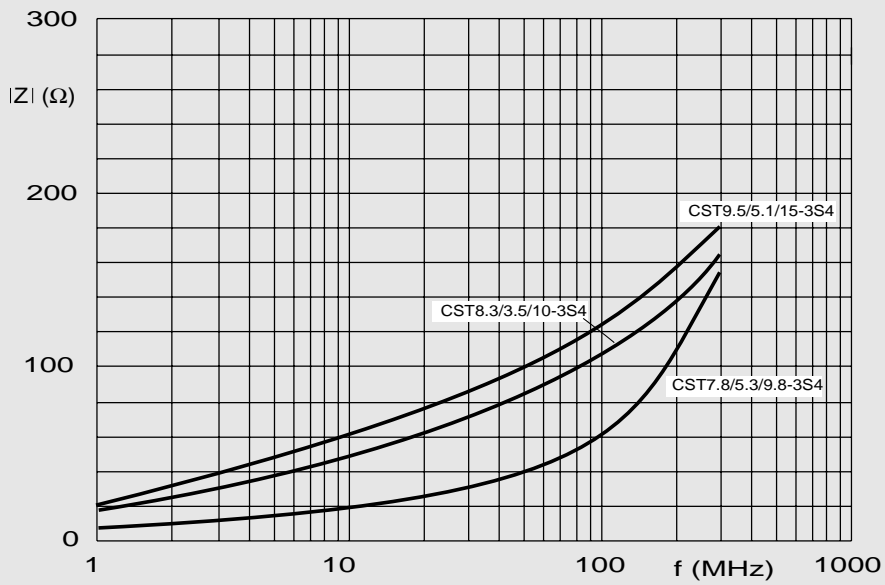
## Tubular Cable Shields



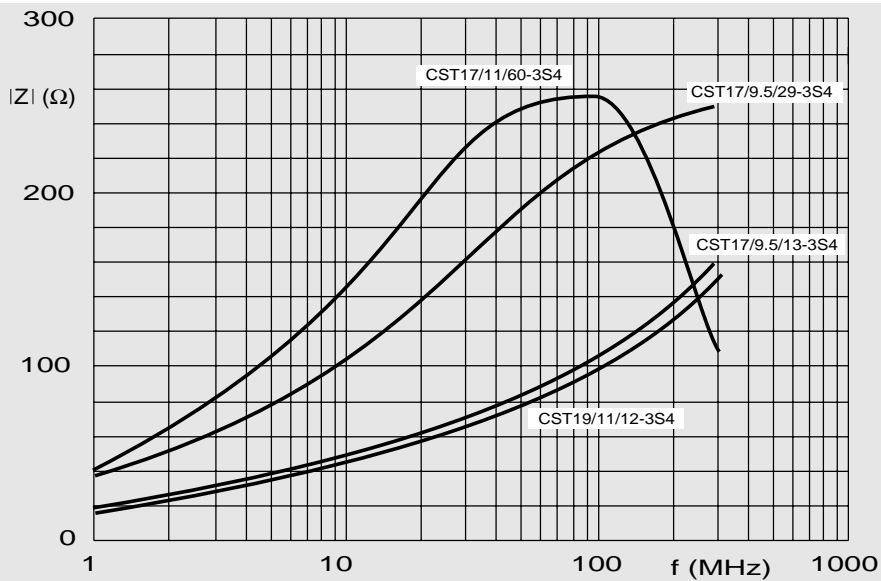
*Fig.35 Outline of tubular cable shields.*

Type number	Dimensions (mm)			$Z_{typ}(\Omega)$	
	OD	ID	L	25MHz	100MHz
<b>CST7.8/5.3/9.8-3S4</b>	<b>7.8±0.2</b>	<b>5.3+0.3</b>	<b>9.8±0.2</b>	<b>32</b>	<b>50</b>
<b>CST8.3/3.5/10-3S4</b>	<b>8.3-0.4</b>	<b>3.5+0.3</b>	<b>10-0.6</b>	<b>70</b>	<b>96</b>
<b>CST9.5/4.8/6.4-4S2</b>	<b>9.5±0.25</b>	<b>4.75±0.25</b>	<b>6.35±0.35</b>	<b>23</b>	<b>50</b>
<b>CST9.5/4.8/10-4S2</b>	<b>9.5±0.25</b>	<b>4.75±0.15</b>	<b>10.4±0.25</b>	<b>53</b>	<b>80</b>
<b>CST9.5/4.8/19-4S2</b>	<b>9.5±0.25</b>	<b>4.75±0.15</b>	<b>19.05±0.7</b>	<b>100</b>	<b>145</b>
<b>CST9.5/5.1/15-3S4</b>	<b>9.5±0.3</b>	<b>5.1±0.15</b>	<b>14.5±0.45</b>	<b>66</b>	<b>110</b>
<b>CST9.7/5/5.1-4S2</b>	<b>9.65±0.25</b>	<b>5±0.2</b>	<b>5.05-0.45</b>	<b>26</b>	<b>43</b>
<b>CST14/6.4/29-4S2</b>	<b>14.3±0.45</b>	<b>6.35±0.25</b>	<b>28.6±0.75</b>	<b>170</b>	<b>250</b>
<b>CST14/7.3/29-4S2</b>	<b>14.3±0.45</b>	<b>7.25±0.15</b>	<b>28.6±0.75</b>	<b>143</b>	<b>215</b>
<b>CST16/7.9/14-4S2</b>	<b>16.25-0.75</b>	<b>7.9±0.25</b>	<b>14.3±0.35</b>	<b>70</b>	<b>113</b>
<b>CST16/7.9/29-4S2</b>	<b>16.25-0.75</b>	<b>7.9±0.25</b>	<b>28.6±0.75</b>	<b>130</b>	<b>213</b>
<b>CST17/9.5/13-4S2</b>	<b>17.45±0.4</b>	<b>9.5±0.25</b>	<b>12.7±0.5</b>	<b>55</b>	<b>88</b>
<b>CST17/9.5/13-3S4</b>	<b>17.45±0.4</b>	<b>9.53±0.25</b>	<b>12.7±0.5</b>	<b>55</b>	<b>96</b>
<b>CST17/9.5/29-4S2</b>	<b>17.45±0.4</b>	<b>9.5±0.25</b>	<b>28.6±0.75</b>	<b>125</b>	<b>200</b>
<b>CST17/9.5/29-3S4</b>	<b>17.45±0.35</b>	<b>9.53±0.25</b>	<b>28.55±0.75</b>	<b>125</b>	<b>200</b>
<b>CST17/11/60-3S4</b>	<b>17.2-1.2</b>	<b>11±0.5</b>	<b>60-2.5</b>	<b>200</b>	<b>320</b>
<b>CST19/10/29-4S2</b>	<b>19-0.65</b>	<b>10.15±0.25</b>	<b>28.6±0.75</b>	<b>128</b>	<b>196</b>
<b>CST19/11/12-3S4</b>	<b>19±0.4</b>	<b>10.6±0.3</b>	<b>11.5±0.4</b>	<b>50</b>	<b>75</b>
<b>CST26/13/29-4S2</b>	<b>25.9±0.75</b>	<b>12.8±0.25</b>	<b>28.6±0.8</b>	<b>145</b>	<b>225</b>
<b>CST29/19/7.5-4S2</b>	<b>29±0.75</b>	<b>19±0.5</b>	<b>7.5±0.25</b>	<b>28</b>	<b>47</b>

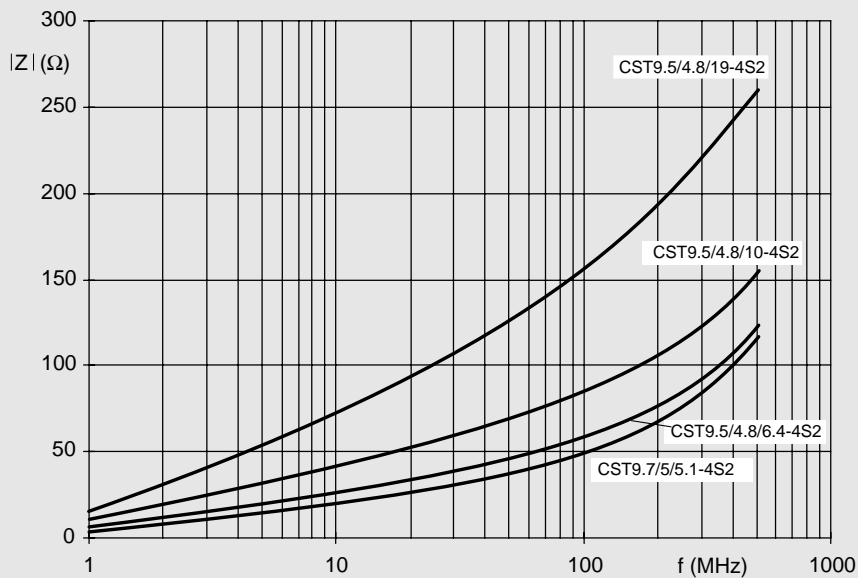
Notes: 1. Minimum allowed Z is typical -20%  
2. Dimension L can be adjusted to application requirements



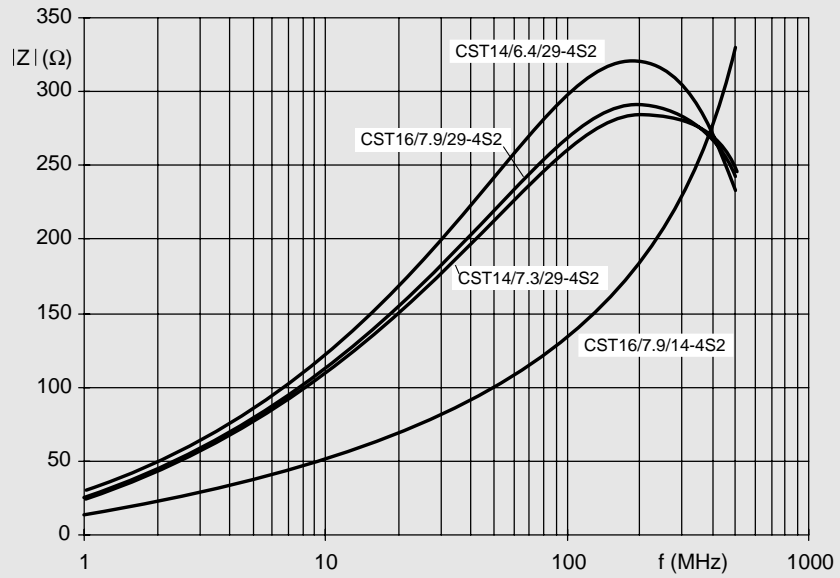
*Fig.36 Impedance of tubular cable shields as a function of frequency.*



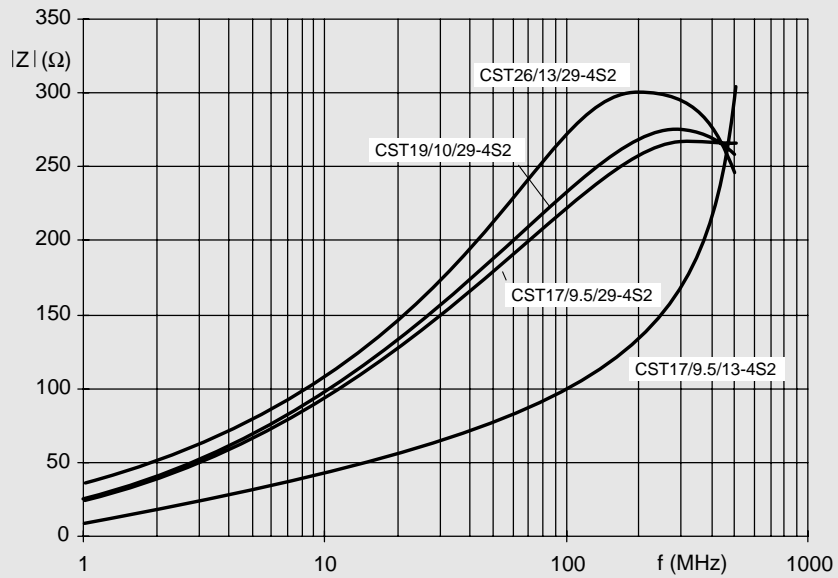
*Fig.37 Impedance of tubular cable shields as a function of frequency.*



*Fig.38 Impedance of tubular cable shields as a function of frequency.*



*Fig.39 Impedance of tubular cable shields as a function of frequency.*



*Fig.40 Impedance of tubular cable shields as a function of frequency.*

# Cable Shields for Flat Cables

## Flat cable shields (entire types)

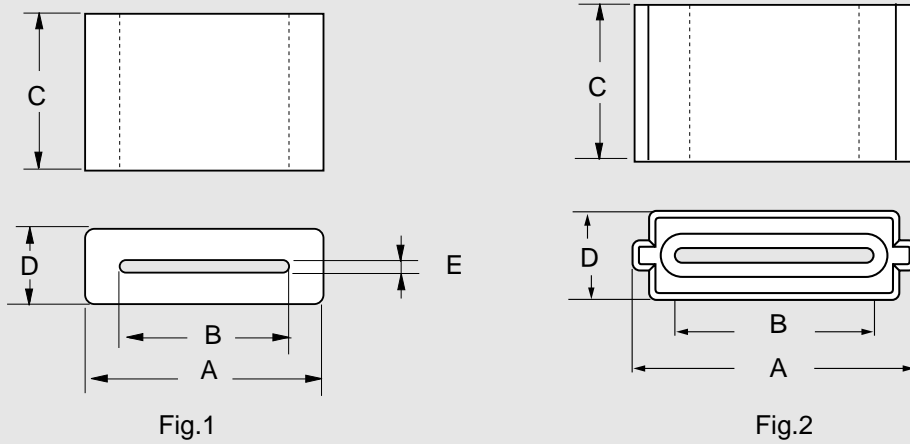


Fig.41 Cable shields (CSF) for flat cables.

Type number	Fig	Ferrite dimensions (mm)					$Z_{typ}^*$ ( $\Omega$ )	
		A	B	C	D	E	25MHz	100MHz
CSF38/12/25-3S4	1	38.1±1.0	26.7±0.8	25.4±0.8	12.1±0.4	1.9±0.4	110	215
CSF39/12/25-3S4-S	2	38.5±1.0	26.8±0.8	25.4±0.8	12.1±0.4	1.9±0.4	98	196

\* Minimum allowed Z is typical -20%

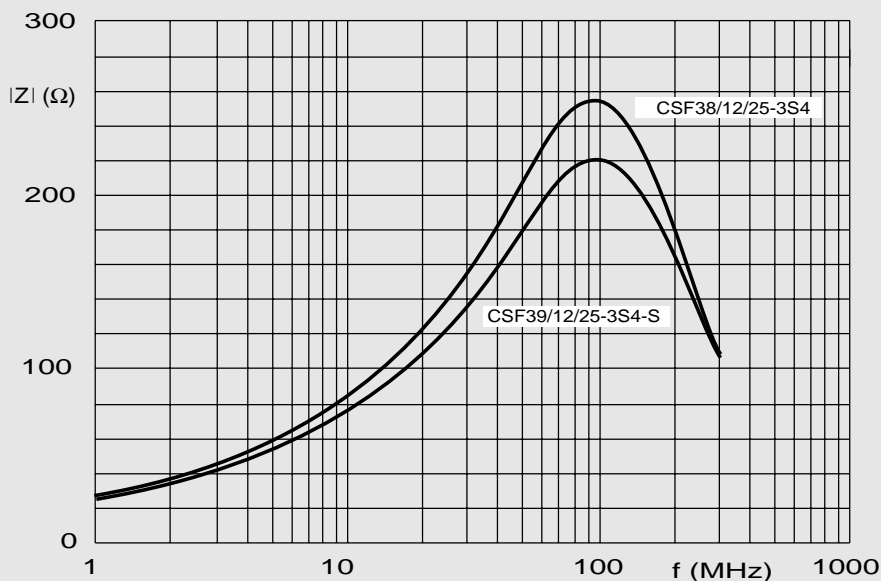


Fig.42 Impedance of flat cable shields (CSF) as a function of frequency.

# Cable Shields for Flat Cables

## Flat Cable Shields (split types) with nylon Case or metal Clips

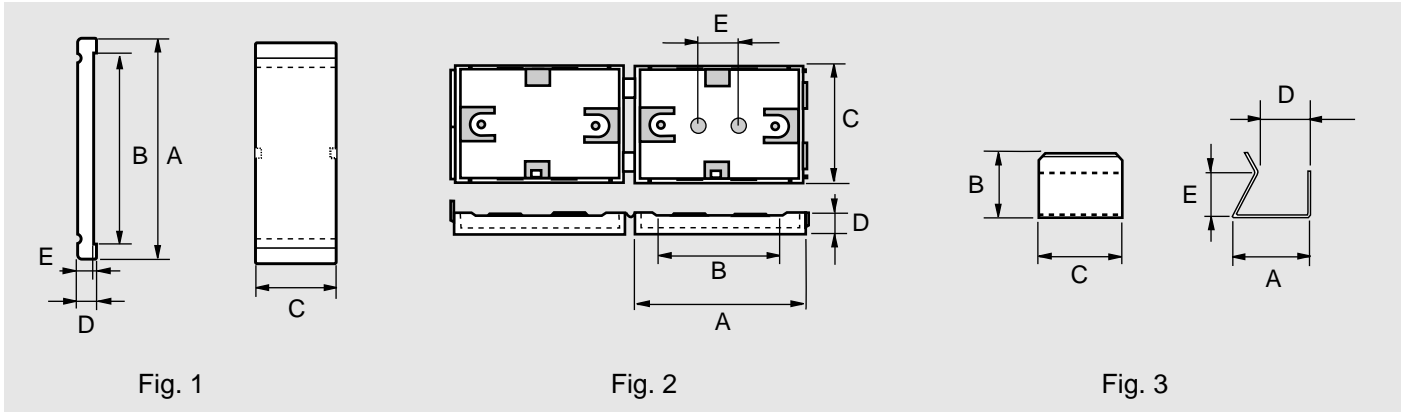


Fig. 43 Cable shields for flat cables with matching plastic cases and clips.

Type number	Fig	Ferrite dimensions (mm)					Z <sub>typ</sub> (Ω)	
		A	B	C	D	E	25MHz	100MHz
CSU45/6.4/29-4S2-EN	1	45.1±0.75	34.4±0.7	28.6±0.7	6.35±0.25	0.85±0.2	96	225
CSU45/6.4/29-4S2	1	45.1±0.75	34.4±0.7	28.6±0.7	6.35±0.25	0.85±0.2	96	225
	2	49.5	34.3	32.3	8.1	20.0		
CSU76/6.4/29-4S2-EN	1	76.2±1.5	65.3±1.3	28.6±0.8	6.35±0.25	0.85±0.2	75	215
CSU76/6.4/29-4S2	1	76.2±1.5	65.3±1.3	28.6±0.8	6.35±0.25	0.85±0.2	75	215
	2	80.8	65.5	32.2	8.1	50.8		
CLI-CSU6.4	3	16.1	11.0	12.7	11.4	8.0		
CSU76/6.4/13-3S4	1	76.2±1.5	65.3±1.3	12.7±0.4	6.35±0.25	0.85±0.2	36	110
CSU76/6.4/15-3S4	1	76.2±1.5	65.3±1.3	15±0.6	6.35±0.25	0.85±0.2	50	159
CSU76/6.4/29-3S4	1	76.2±1.5	65.3±1.3	28.6±0.8	6.35±0.25	0.85±0.2	70	235

Notes: 1. Minimum allowed Z is typical -20%  
 2. Dimension C can be adjusted to application requirements  
 3. Clip material: 0.5mm spring steel, zinc (Zn) plated  
 4. Plastic case material: Flame retardant nylon 66 grade A82, UL94 V-0. Colour: black

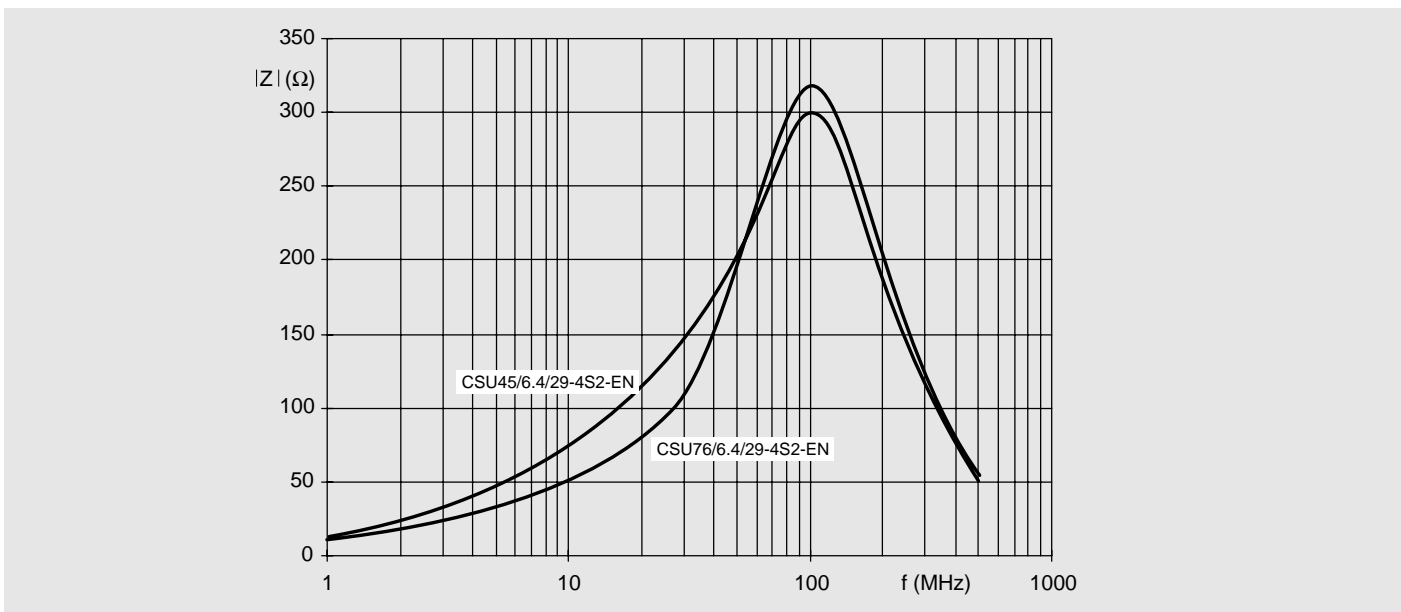
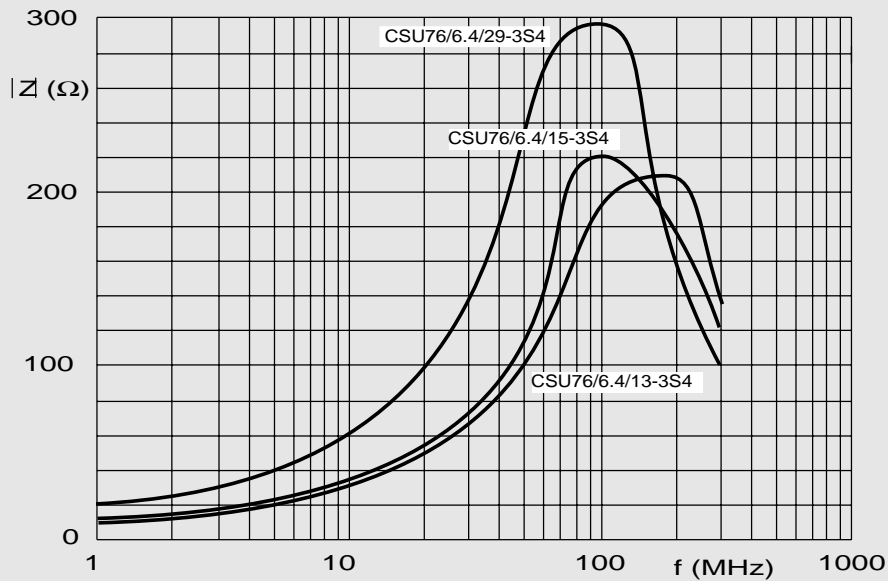


Fig. 44 Impedance of flat cable shields as a function of frequency.





*Fig.45 Impedance of flat cable shields as a function of frequency.*

## Customized design

To support designers and manufacturers of electronic equipment, **PHILIPS COMPONENTS** offers its recognized know-how. Our staff of application engineers are entirely at your disposal for your comments and inquiries.

Well controlled manufacturing processes, automated production lines and measuring equipment and a long experience in ferrites make us a flexible, capable and reliable partner.

We are able to give advice, also on custom-designed products, either completely new or similar to existing types.

**PHILIPS COMPONENTS** offers smart solutions to help you comply with new, more severe EMC regulations and requirements. Our new 3S4 material, used for this range of ferrite cable shields is suitable to prevent generated interference and to suppress noise for frequencies up to 1GHz.

# Magnetic Products NAFTA Sales Offices

Alabama	Over and Over, Inc., Charlotte, NC	(708) 583-9100
Alaska	Eclipse Marketing Group, Redmond, WA	(206) 885-6991
Arizona	Harper and Two, Tempe, AZ	(602) 804-1290
Arkansas	Philips Components, Willoughby, OH	(440) 269-8585
California - Northern	Criterion Sales, Santa Clara, CA	(408) 988-6300
California - Southern	Harper and Two, Signal Hill, CA	(801) 264-8050
Colorado	Philips Components, Willoughby, OH	(440) 269-8585
Connecticut	Philips Components, Woburn, MA	(617) 932-4748
Delaware	Philips Components, Woburn, MA	(617) 932-4748
Florida	Over and Over, Charlotte, NC	(704) 583-9100
Georgia	Over and Over, Charlotte, NC	(704) 583-9100
Hawaii	Harper and Two, Signal Hill, CA	(310) 424-3030
Idaho - Northern	Eclipse Marketing Group, Redmond, WA	(206) 885-6991
Idaho - Southern	Electrodyne, Inc., Salt Lake City, UT	(801) 264-8050
Illinois - Northern	Philips Components, Willoughby, OH	(440) 269-8585
Illinois - Quad Cities	Lorenz Sales, Cedar Rapids, IA	(319) 377-4666
Illinois - Southern	Lorenz Sales, St. Louis, MO	(314) 997-4558
Indiana - Northern	Corrao Marsh, Fort Wayne, IN	(219) 482-2725
Indiana - Central and Southern	Corrao Marsh, Greenfield, IN	(317) 462-4446
Iowa - All except Quad Cities	Lorenz Sales, Cedar Rapids, IA	(319) 377-4666
Kansas - Northeast	Lorenz Sales, Overland Park, KS	(913) 469-1312
Kansas - All except Northeast	Lorenz Sales, Wichita, KS	(316) 721-0500
Kentucky	Corrao Marsh, Greenfield, IN	(317) 462-4446
Louisiana	Philips Components, Willoughby, OH	(440) 269-8585
Maine	Philips Components, Woburn, MA	(617) 932-4748
Maryland	Philips Components, Willoughby, OH	(440) 269-8585
Massachusetts	Philips Components, Woburn, MA	(617) 932-4748
Michigan	Philips Components, Willoughby, OH	(440) 269-8585
Minnesota	Electronic Component Sales, Minneapolis, MN	(612) 946-9510
Mississippi	Over and Over, Charlotte, NC	(704) 583-9100
Missouri - Eastern	Lorenz Sales, St. Louis, MO	(314) 997-4558
Missouri - Western	Lorenz Sales, Overland Park, KS	(913) 469-1312
Montana	Electrodyne, Inc., Salt Lake City, UT	(801) 264-8050
Nebraska	Lorenz Sales, Cedar Rapids, IA	(319) 377-4666
Nevada - Central and Northern	Criterion Sales, Santa Clara, CA	(408) 988-6300
Nevada - Southern	Harper and Two, Tempe, AZ	(602) 804-1290
New Hampshire	Philips Components, Woburn, MA	(617) 932-4748
New Jersey	Philips Components, Woburn, MA	(617) 932-4748
New Mexico	Harper and Two, Tempe, AZ	(602) 804-1290
New York - Western	Philips Components, Willoughby, OH	(440) 269-8585
New York - All other	Philips Components, Woburn, MA	(617) 932-4748
North Carolina	Over and Over, Charlotte, NC	(704) 583-9100
North Dakota	Electronic Component Sales, Minneapolis, MN	(612) 946-9510
Ohio	Philips Components, Willoughby, OH	(440) 269-8585
Oklahoma	Philips Components, Willoughby, OH	(440) 269-8585
Oregon	Eclipse Marketing Group, Beaverton, OR	(503) 642-1661
Pennsylvania - Western	Philips Components, Willoughby, OH	(440) 269-8585
Pennsylvania - Eastern	Philips Components, Woburn, MA	(617) 932-4748
Rhode Island	Philips Components, Woburn, MA	(617) 932-4748
South Carolina	Over and Over, Charlotte, NC	(704) 583-9100
South Dakota	Electronic Component Sales, Minneapolis, MN	(612) 946-9510
Tennessee	Over and Over, Charlotte, NC	(704) 583-9100
Texas	Philips Components, Willoughby, OH	(440) 269-8585
Utah	Electrodyne, Inc., Salt Lake City, UT	(801) 264-8050
Vermont	Philips Components, Woburn, MA	(617) 932-4748
Virginia	Philips Components, Willoughby, OH	(440) 269-8585
Washington	Eclipse Marketing Group, Redmond, WA	(206) 885-6991
Washington DC	Philips Components, Willoughby, OH	(440) 269-8585
West Virginia	Philips Components, Willoughby, OH	(440) 269-8585
Wisconsin	Philips Components, Willoughby, OH	(440) 269-8585
Wyoming	Electrodyne, Inc., Salt Lake City, UT	(801) 264-8050
Canada	Philips Components, Scarborough, ON	(416) 292-5161
Mexico	Philips Components, El Paso, TX	(915) 772-4020
Puerto Rico	Max Anderson Co., Caperra Heights, PR	(809) 783-6544
Virgin Islands	Max Anderson Co., Caperra Heights, PR	(809) 783-6544

# Philips Components – a worldwide company

**Australia:** Philips Components Pty Ltd., NORTH RYDE,  
Tel. +61 2 9805 4455, Fax. +61 2 9805 4466

**Austria:** Österreichische Philips Industrie GmbH, WIEN,  
Tel. +43 1 60 101 12 41, Fax. +43 1 60 101 12 11

**Belarus:** Philips Office Belarus, MINSK,  
Tel. +375 172 200 924/733, Fax. +375 172 200 773

**Benelux:** Philips Nederland B.V., EINDHOVEN, NL,  
Tel. +31 40 2783 749, Fax. +31 40 2788 399

**Brazil:** Philips Components, SÃO PAULO,  
Tel. +55 11 821 2333, Fax. +55 11 829 1849

**Canada:** Philips Electronics Ltd., SCARBOROUGH,  
Tel. +1 416 292 5161, Fax. +1 416 754 6248

**China:** Philips Company, SHANGHAI,  
Tel. +86 21 6354 1088, Fax. +86 21 6354 1060

**Denmark:** Philips Components A/S, COPENHAGEN S,  
Tel. +45 32 883 333, Fax. +45 31 571 949

**Finland:** Philips Components, ESPOO,  
Tel. +358 9 615 800, Fax. +358 9 615 80510

**France:** Philips Composants, SURESNES,  
Tel. +33 1 4099 6161, Fax. +33 1 4099 6493

**Germany:** Philips Components GmbH, HAMBURG,  
Tel. +49 40 2489-0, Fax. +49 40 2489 1400

**Greece:** Philips Hellas S.A., TAVROS,  
Tel. +30 1 4894 339/+30 1 4894 239, Fax. +30 1 4814 240

**Hong Kong:** Philips Hong Kong, KOWLOON,  
Tel. +852 2784 3000, Fax. +852 2784 3003

**India:** Philips India Ltd., MUMBAI,  
Tel. +91 22 4930 311, Fax. +91 22 4930 966/4950 304

**Indonesia:** P.T. Philips Development Corp., JAKARTA,  
Tel. +62 21 794 0040, Fax. +62 21 794 0080

**Ireland:** Philips Electronics (Ireland) Ltd., DUBLIN,  
Tel. +353 1 7640 203, Fax. +353 1 7640 210

**Israel:** Rapac Electronics Ltd., TEL AVIV,  
Tel. +972 3 6450 444, Fax. +972 3 6491 007

**Italy:** Philips Components S.r.l., MILANO,  
Tel. +39 2 6752 2531, Fax. +39 2 6752 2557

**Japan:** Philips Japan Ltd., TOKYO,  
Tel. +81 3 3740 5135, Fax. +81 3 3740 5035

**Korea (Republic of):** Philips Electronics (Korea) Ltd., SEOUL,  
Tel. +82 2 709 1472, Fax. +82 2 709 1480

**Malaysia:** Philips Malaysia SDN Berhad,  
Components Division, PULAU PINANG,  
Tel. +60 3 750 5213, Fax. +60 3 757 4880

**Mexico:** Philips Components, EL PASO, U.S.A.,  
Tel. +52 915 772 4020, Fax. +52 915 772 4332

**New Zealand:** Philips New Zealand Ltd., AUCKLAND,  
Tel. +64 9 815 4000, Fax. +64 9 849 7811

**Norway:** Norsk A/S Philips, OSLO,  
Tel. +47 22 74 8000, Fax. +47 22 74 8341

**Pakistan:** Philips Electrical Industries of Pakistan Ltd., KARACHI,  
Tel. +92 21 587 4641-49, Fax. +92 21 577 035/+92 21 587 4546

**Philippines:** Philips Semiconductors Philippines Inc.,  
METRO MANILA, Tel. +63 2 816 6345, Fax. +63 2 817 3474

**Poland:** Philips Poland Sp. z o.o., WARSZAWA,  
Tel. +48 22 612 2594, Fax. +48 22 612 2327

**Portugal:** Philips Portuguesa S.A.,  
Philips Components: LINDA-A-VELHA,  
Tel. +351 1 416 3160/416 3333, Fax. +351 1 416 3174/416 3366

**Russia:** Philips Russia, MOSCOW,  
Tel. +7 95 755 6918, Fax. +7 95 755 6919

**Singapore:** Philips Singapore Pte Ltd., SINGAPORE,  
Tel. +65 350 2000, Fax. +65 355 1758

**South Africa:** S.A. Philips Pty Ltd., JOHANNESBURG,  
Tel. +27 11 470 5911, Fax. +27 11 470 5494

**Spain:** Philips Components, BARCELONA,  
Tel. +34 93 301 63 12, Fax. +34 93 301 42 43

**Sweden:** Philips Components AB, STOCKHOLM,  
Tel. +46 8 5985 2000, Fax. +46 8 5985 2745

**Switzerland:** Philips Components AG, ZÜRICH,  
Tel. +41 1 488 22 11, Fax. +41 1 481 7730

**Taiwan:** Philips Taiwan Ltd., TAIPEI,  
Tel. +886 2 2134 2900, Fax. +886 2 2134 2929

**Thailand:** Philips Electronics (Thailand) Ltd., BANGKOK,  
Tel. +66 2 745 4090, Fax. +66 2 398 0793

**Turkey:** Türk Philips Ticaret A.S., GÜLTEPE/ISTANBUL,  
Tel. +90 212 279 2770, Fax. +90 212 282 6707

**United Kingdom:** Philips Components Ltd., DORKING,  
Tel. +44 1306 512 000, Fax. +44 1306 512 345

## United States:

- Display Components, ANN ARBOR, MI,  
Tel. +1 734 996 9400, Fax. +1 734 761 2776
- Magnetic Products, SAUGERTIES, NY,  
Tel. +1 914 246 2811, Fax. +1 914 246 0487
- Passive Components, SAN JOSE, CA,  
Tel. +1 408 570 5600, Fax. +1 408 570 5700

**Yugoslavia (Federal Republic of):** Philips Components, BELGRADE,  
Tel. +381 11 625 344/373, Fax. +381 11 635 777

## Internet:

- Display Components: [www.dc.comp.philips.com](http://www.dc.comp.philips.com)
- Passive Components: [www.passives.comp.philips.com](http://www.passives.comp.philips.com)

## For all other countries apply to:

Philips Components, Building BF-1, P.O. Box 218, 5600 MD EINDHOVEN,  
The Netherlands, Fax. +31-40-27 23 903.

COD19 Philips Electronics N.V. 1998

All rights are reserved. Reproduction in whole or in part is prohibited without the prior written consent of the copyright owner. The information presented in this document does not form part of any quotation or contract, is believed to be accurate and reliable and may be changed without notice. No liability will be accepted by the publisher for any consequence of its use. Publication thereof does not convey nor imply any license under patent- or other industrial or intellectual property rights.

Printed in The Netherlands

Document order number: 9398 237 2801 I

Date of release: 02/97

Philips  
Components



PHILIPS

Let's make things better.