

# Knife Shape Fabric Shielding Gaskets

**Shielding Effectiveness**  
80 - 115dB

**Frequency Range**  
20Mhz - 1GHz

**Low Compression**  
See page 18 for typical performance

**Dura-Layer Construction**  
Resilient base with high-performance fabric

**Recommended Compression**  
30-50% of gasket height

## KNIFE SHAPE with pressure sensitive adhesive mounting.

Available in standard 24" and 48" lengths or cut to length as desired.

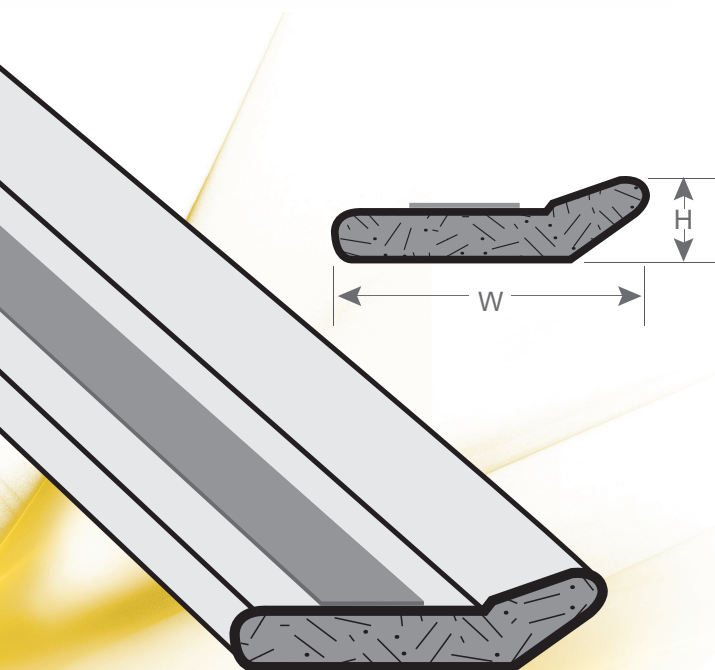
Conductive tape and products without tape can also be supplied.  
Contact factory for ordering information.

Please consult factory for sizes not shown.

See below for part number explanation.

See technical data sheet for typical cross section and length tolerances.

Part	H (in)	(mm)	W (in)	(mm)
SG070340K	0.070	1.78	0.340	8.64
SG106315K	0.106	2.69	0.315	8.00
SG106445K	0.106	2.69	0.445	11.30
SG160600K	0.160	4.06	0.600	15.24
SG250750K	0.250	6.35	0.750	19.05
SG312707K	0.312	7.92	0.707	17.96
SG350750K	0.350	8.89	0.750	19.05



### Part Number Explanation

SG	XXX	XXX	X	-	XX.XX
↓	↓	↓	↓		↓
# start	Height	Width	Profile		Length

\*Example:  
SG106445K-22.50: Gasket .106 tall, .445 wide, Knife Shape and 22.5" long