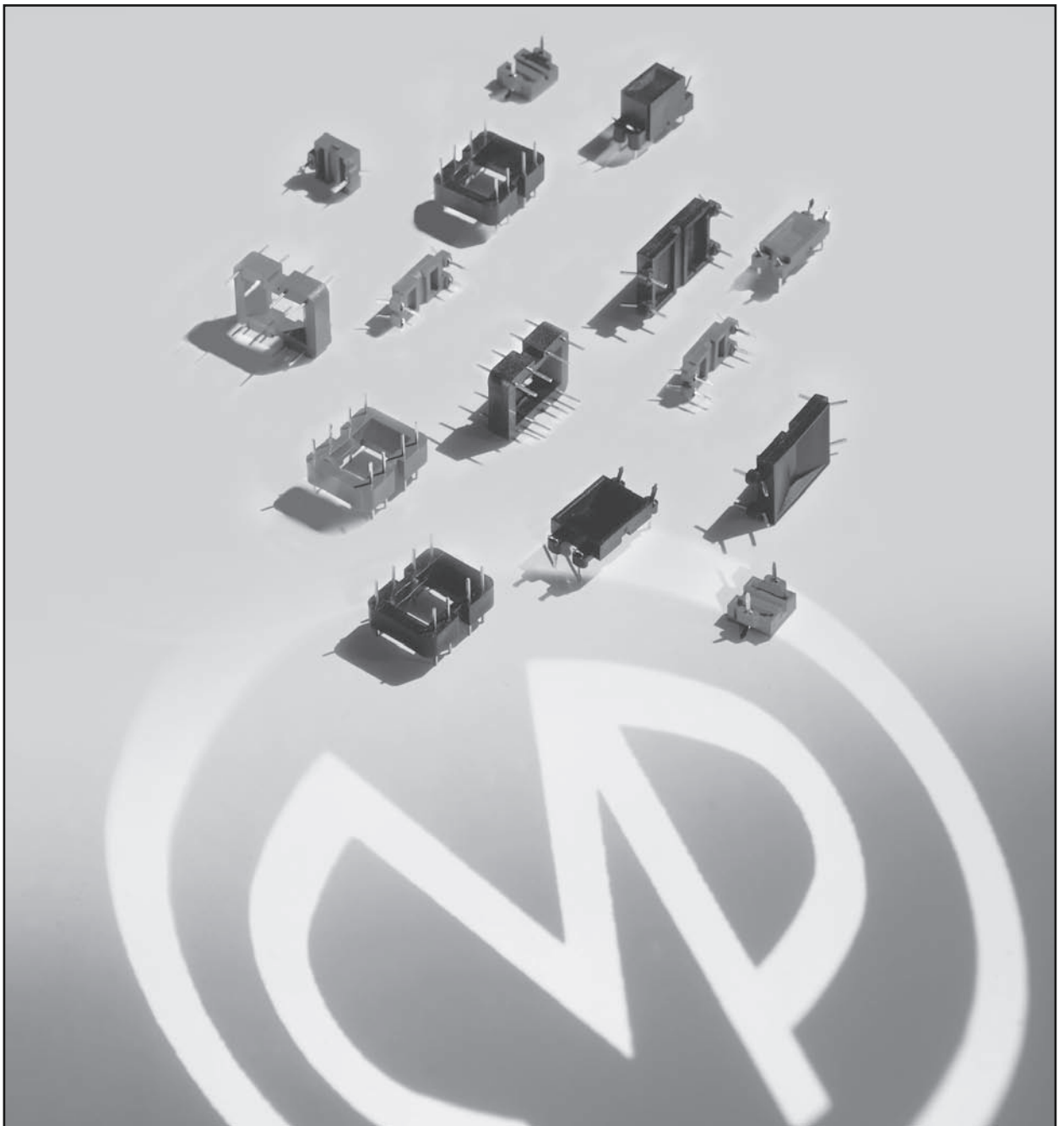




TOROID MOUNTS

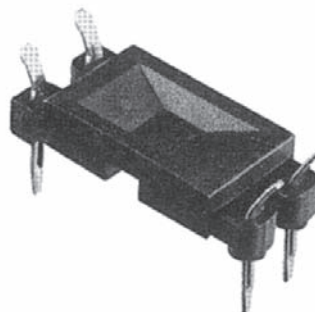
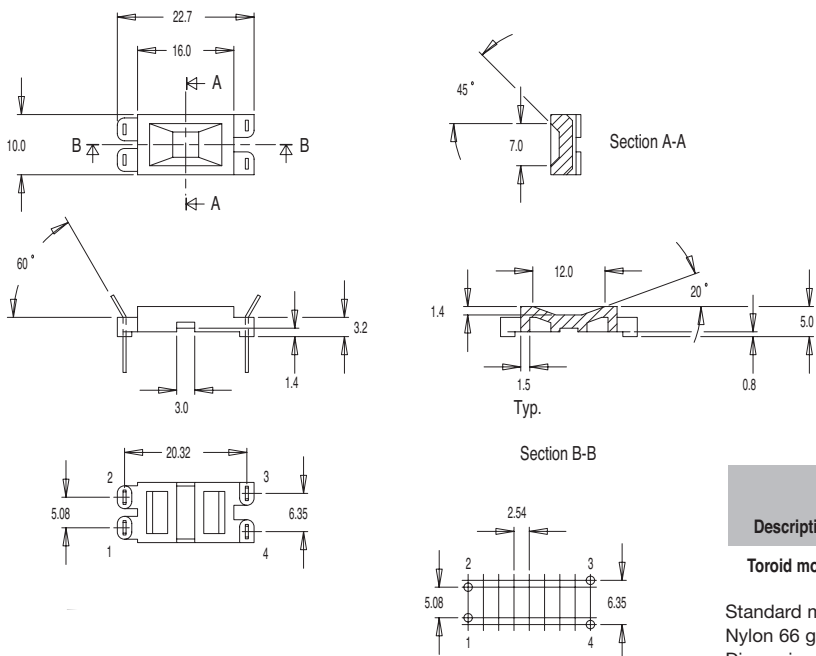
- Seven vertical mounts catalogued
- Custom Design Service
- Through hole termination options
- Horizontal types under development
- Available in high performance polymers





Toroid Mounts

TOROID MOUNT TR0010

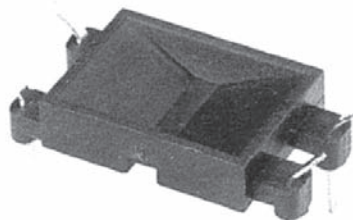
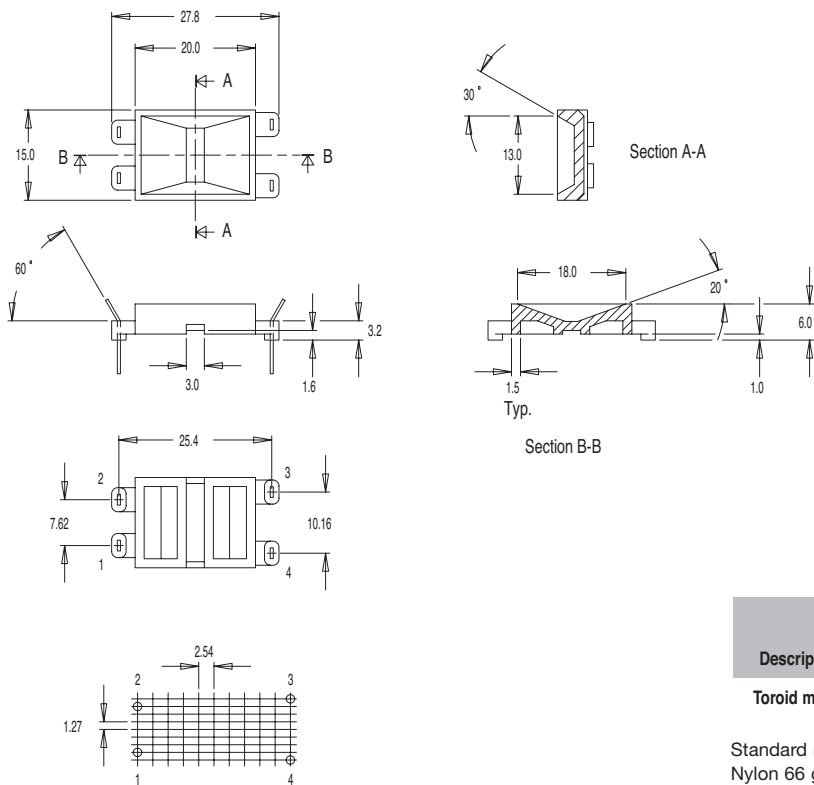


Description	Type	Terminal type	No. of terminals available	Part No.
Toroid mount	72958	TBS 901	4 (2 x 2)	TR0010

Standard materials: Nylon 66 glass reinforced to UL94HB / Nylon 66 glass reinforced to UL94V0
Dimensions in millimetres

TOROID MOUNT TR0020

Section 8



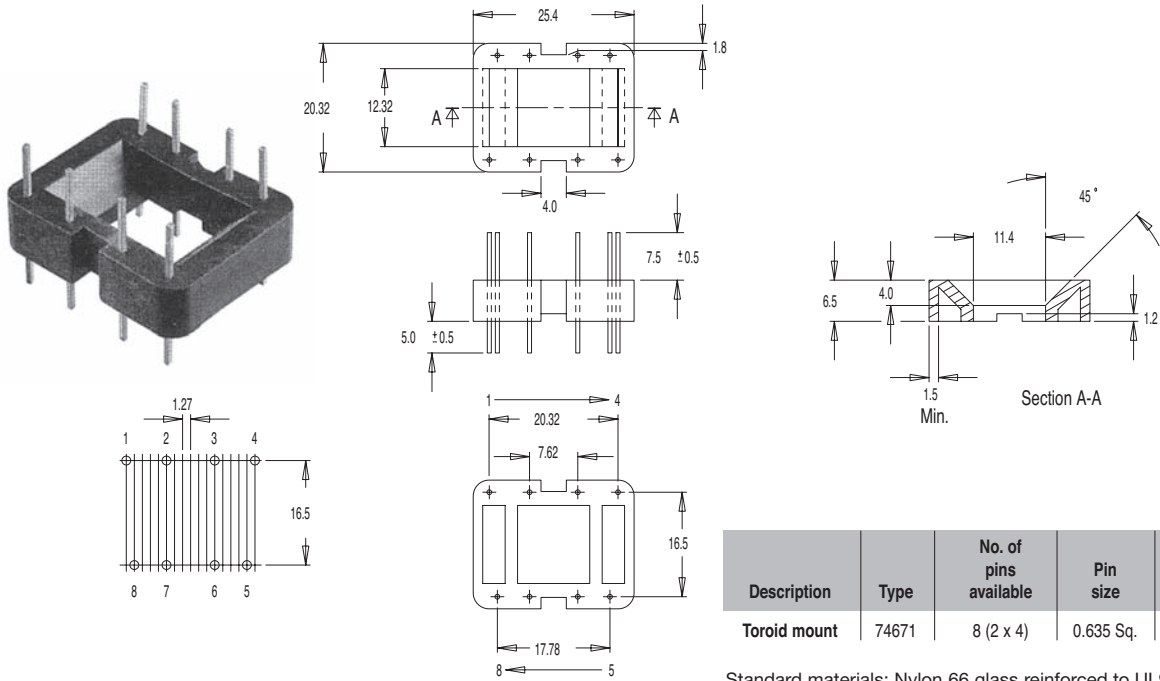
Description	Type	Terminal type	No. of terminals available	Part No.
Toroid mount	72959	TBS 901	4 (2 x 2)	TR0020

Standard materials: Nylon 66 glass reinforced to UL94HB / Nylon 66 glass reinforced to UL94V0
Dimensions in millimetres



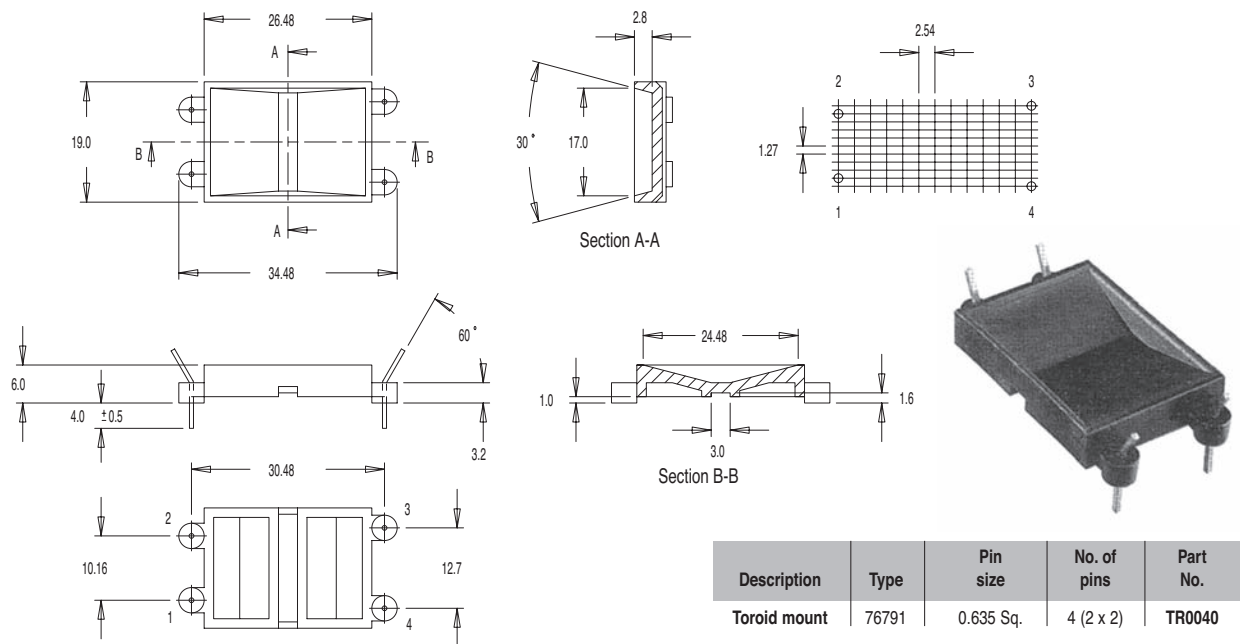
Toroid Mounts

TOROID MOUNT TR0030



Standard materials: Nylon 66 glass reinforced to UL94HB / Nylon 66 glass reinforced to UL94V0
 Pin material: Phosphor Bronze Dimensions in millimetres

TOROID MOUNT TR0040



Standard materials: Nylon 66 glass reinforced to UL94HB / Nylon 66 glass reinforced to UL94V0
 Pin material: Phosphor Bronze Dimensions in millimetres

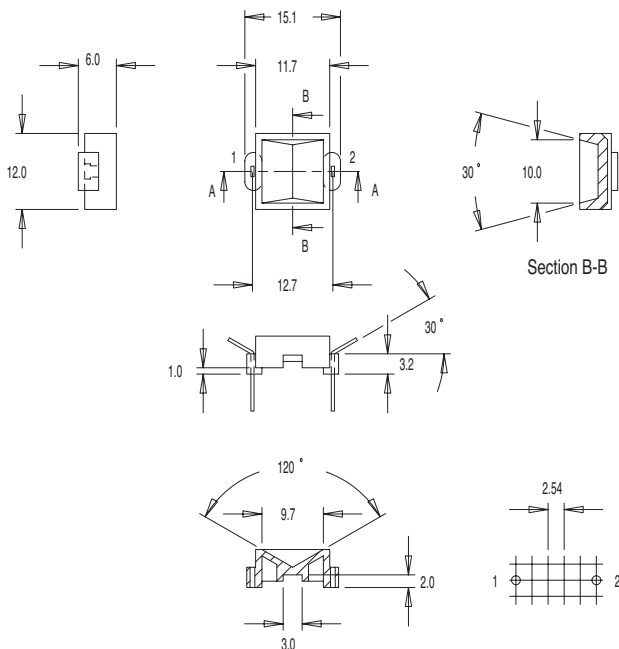
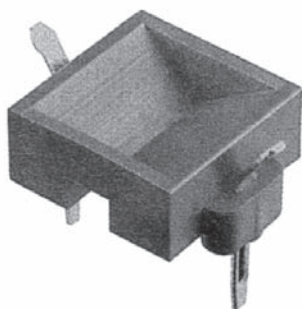
Section 8





Toroid Mounts

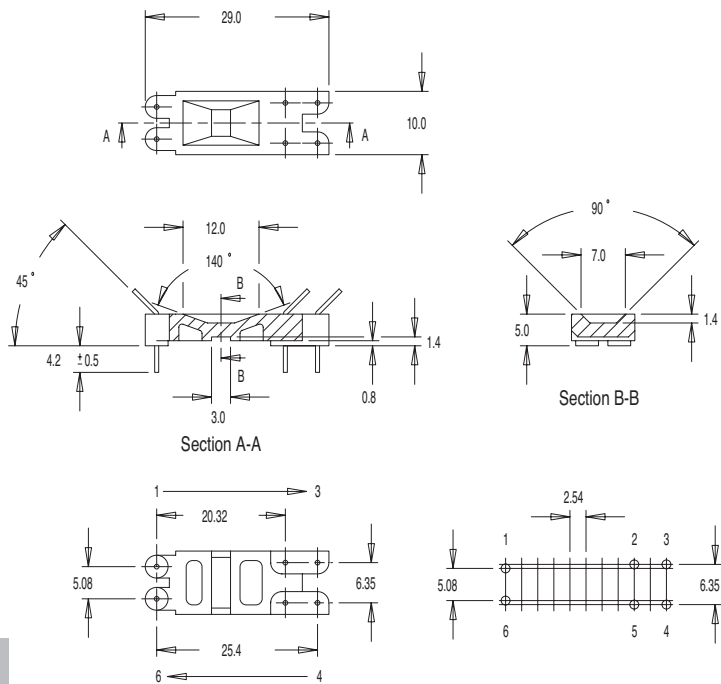
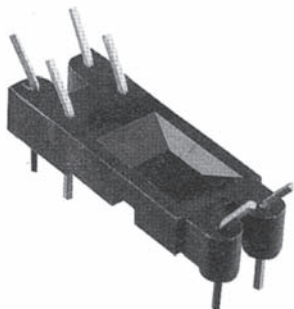
TOROID MOUNT TR0050



Description	Type	Terminal type	No. of terminals available	Part No.
Toroid mount	79796	TBS 901	2	TR0050

Standard materials: Nylon 66 glass reinforced to UL94HB /
 Nylon 66 glass reinforced to UL94V0 Dimensions in millimetres

TOROID MOUNT TR0060



Description	Type	Pin size	No. of pins	Part No.
Toroid mount	76507	0.635 Sq.	6 (2 x 3)	TR0060

Standard materials: Nylon 66 glass reinforced to UL94HB /
 Nylon 66 glass reinforced to UL94V0 Dimensions in millimetres

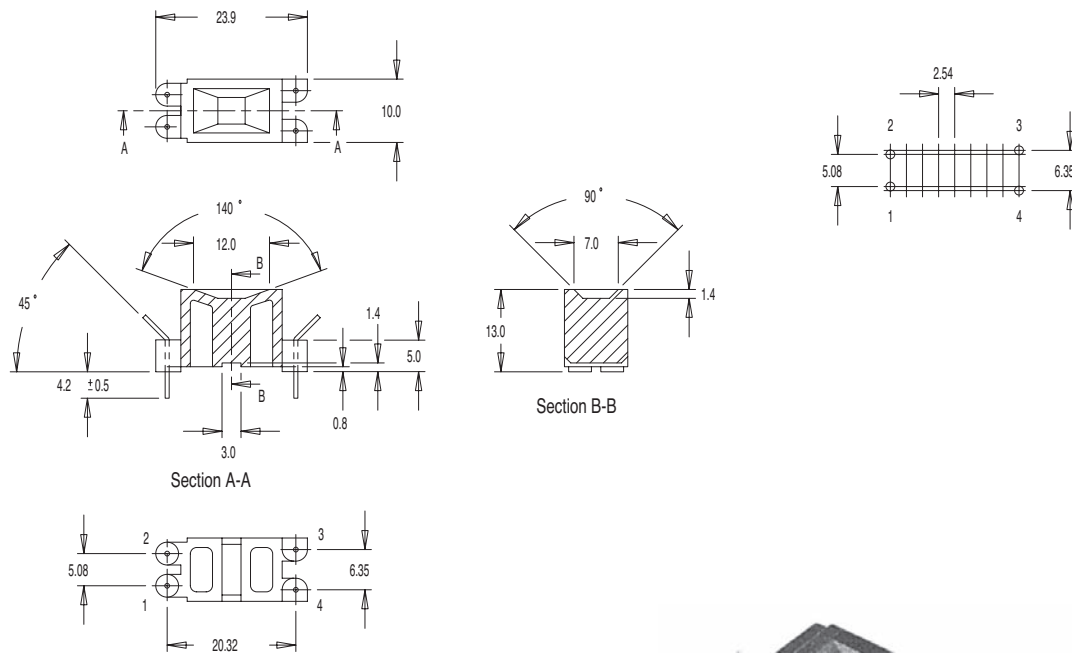
Section 8





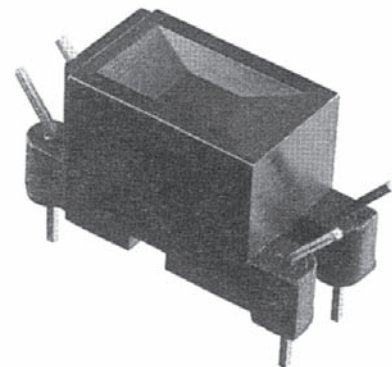
Toroid Mounts

TOROID MOUNT TR0070



Description	Type	Pin size	No. of pins	Part No.
Toroid mount	77379	0.635 Sq.	4 (2 x 2)	TR0070

Standard materials: Nylon 66 glass reinforced to UL94HB / Nylon 66 glass reinforced to UL94V0
 Pin material: Phosphor Bronze Dimensions in millimetres





“ We aim to satisfy and service the ever changing needs of our customers. ”

“ Wir streben danach, die sich ständig ändernden Bedürfnisse unserer Kunden zu befriedigen. ”

“ Nous cherchons à satisfaire et répondre aux besoins toujours changeant de nos clients. ”

“ Nuestro objetivo es satisfacer y mantener un servicio excelente que copen las diferentes necesidades de los clientes, que pueden ”
variar mucho según el tipo de mercado.