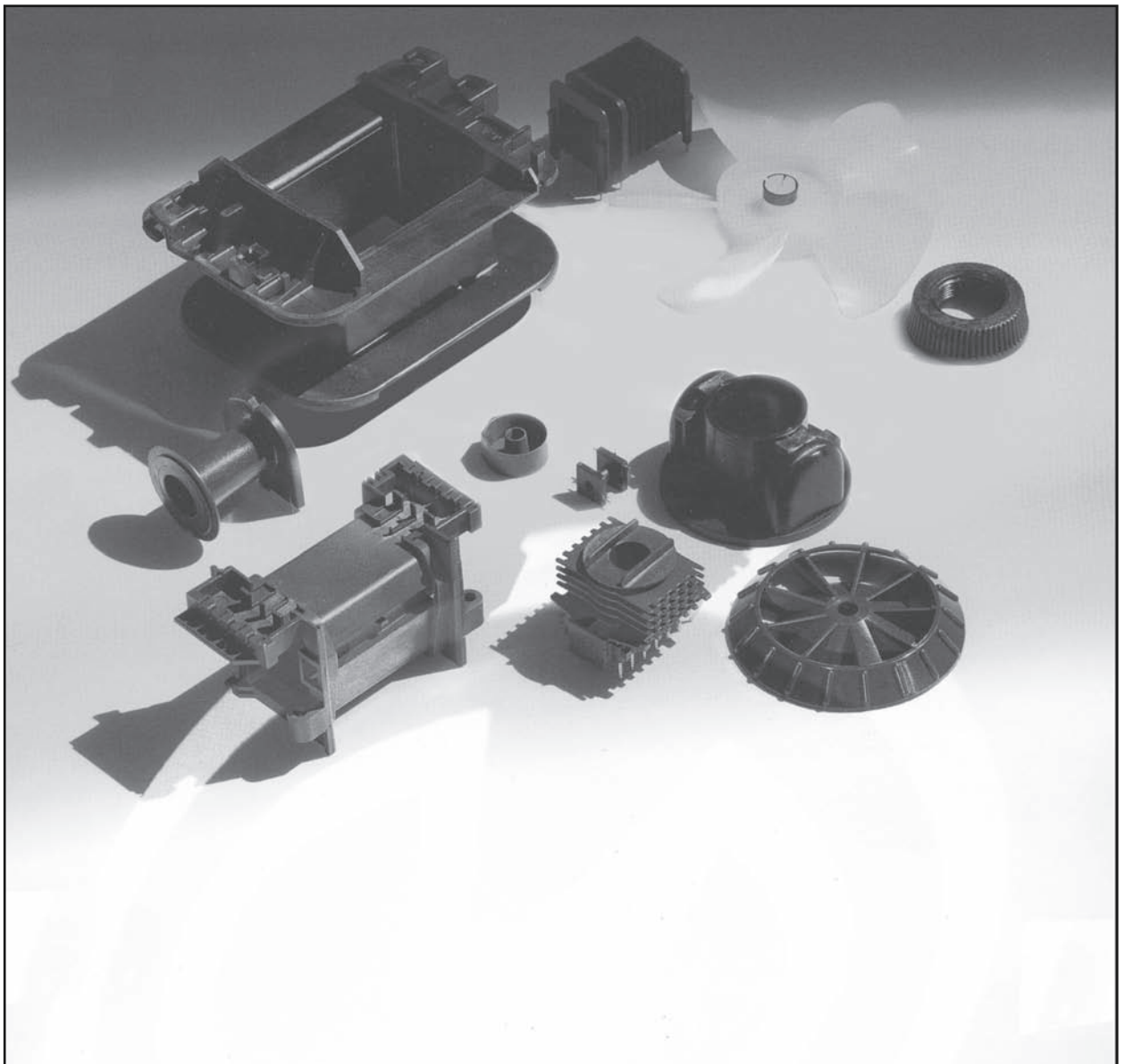




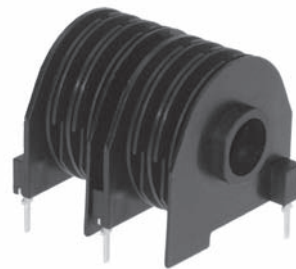
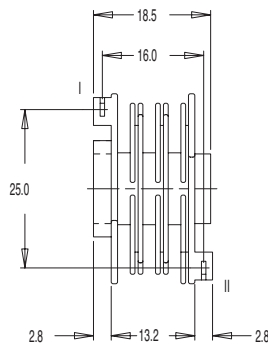
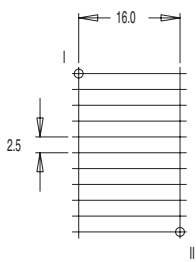
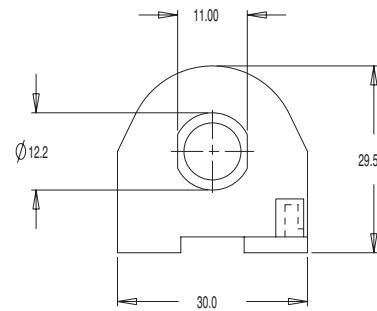
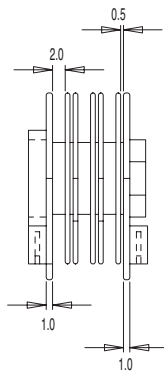
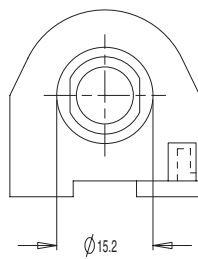
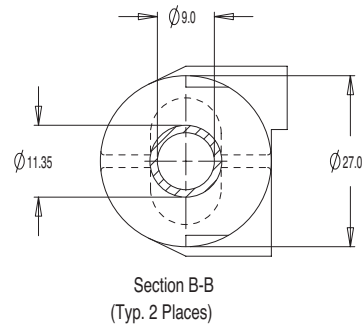
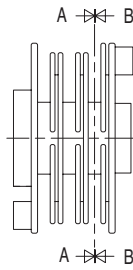
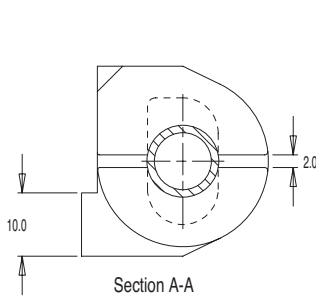
## CUSTOM & MISCELLANEOUS

- Design service available
- Product and material consultancy
- Unique modular tooling
- Advanced moulding technology for optimum yields
- Rapid prototype service available
- Custom technical mouldings
- Round wire, square wire and pressed terminals available
- Custom solutions achieved within short time scales

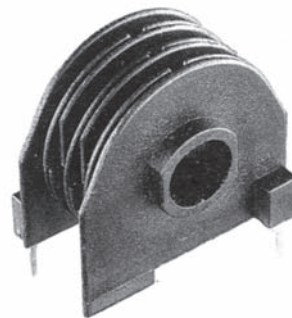




GAS IGNITION - 3 CHAMBER  
Ø9.0 BORE



2 Parts Connected



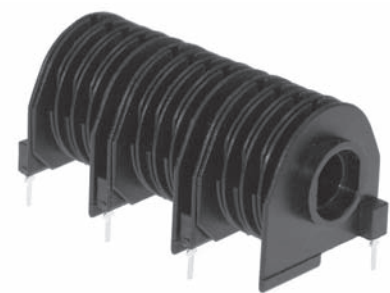
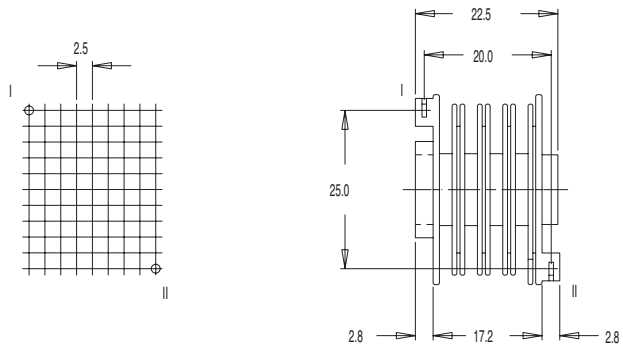
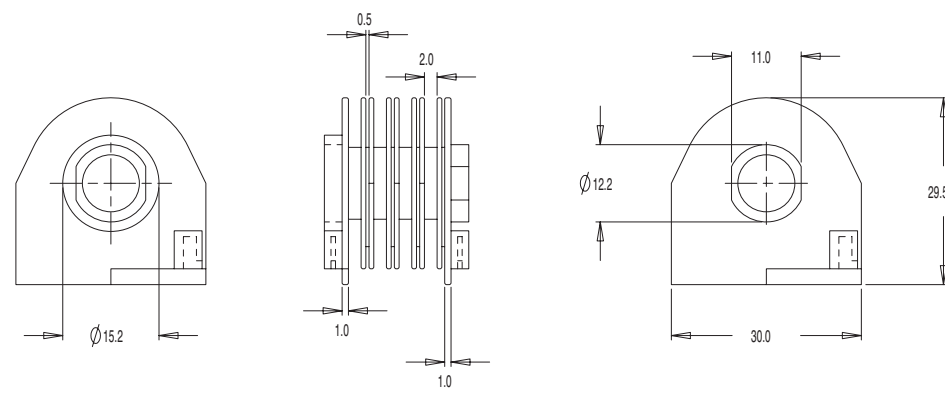
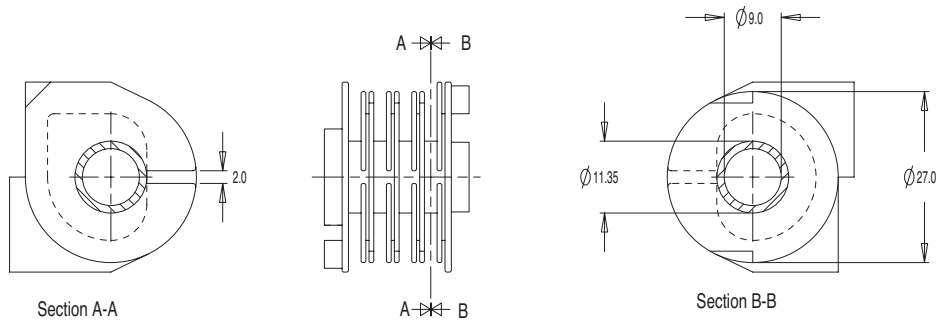
| Description  | Type      | Terminal type  | No. of terminals available | Part No. |
|--------------|-----------|----------------|----------------------------|----------|
| Gas Ignition | 3 chamber | TBS 600 series | 2                          | GI6500   |

Standard materials: Nylon 66 glass reinforced Dimensions in millimetres

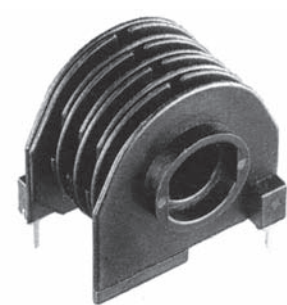


# Coil Bobbins Miscellaneous

## GAS IGNITION - 4 CHAMBER Ø9.0 BORE



3 Parts Connected



| Description  | Type      | Terminal type  | No. of terminals available | Part No. |
|--------------|-----------|----------------|----------------------------|----------|
| Gas Ignition | 4 chamber | TBS 600 series | 2                          | GI6510   |

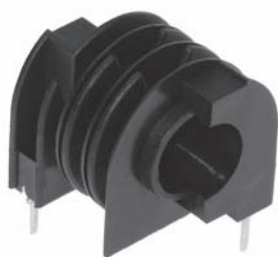
Standard materials: Nylon 66 glass reinforced    Dimensions in millimetres

Most products are available direct from stock with same day despatch - please contact sales for details

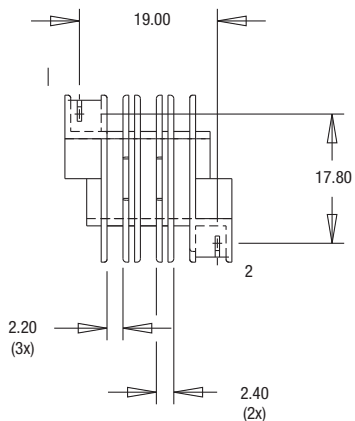
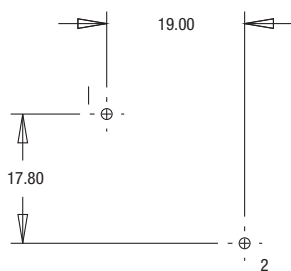
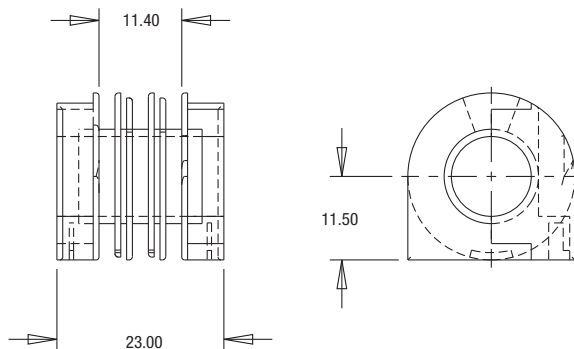
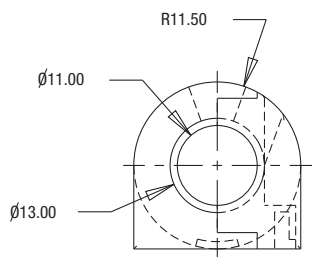
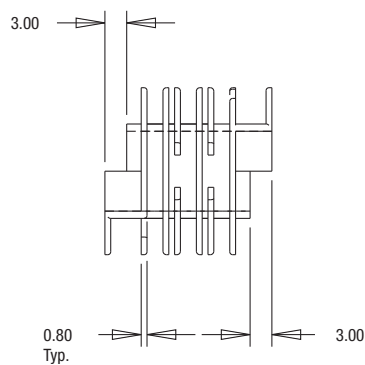




# GAS IGNITION - 3 CHAMBER Ø11.0 BORE



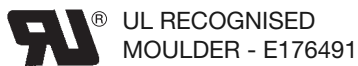
GI4700GNNBLK0001



| Description  | Type      | Terminal type  | No. of terminals available | Part No. |
|--------------|-----------|----------------|----------------------------|----------|
| Gas Ignition | 3 chamber | TBS 600 Series | 2                          | GI4700   |

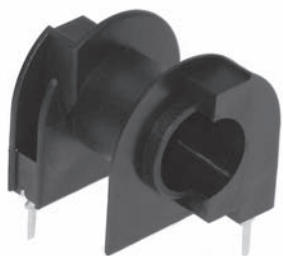
Standard materials: Nylon 66 glass reinforced    Dimensions in millimetres

For further technical information please contact sales  
Tel: +44 (0) 116 264 3850    Fax: +44 (0) 116 264 3851  
Email: enquiries@milesplatts.co.uk  
Web: www.milesplatts.co.uk

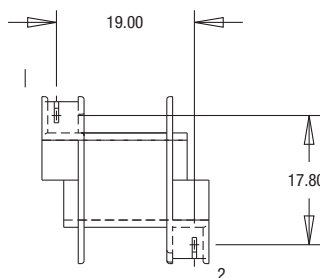
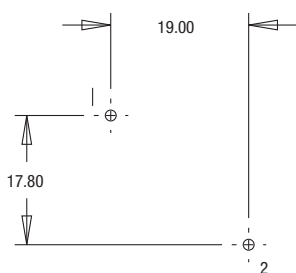
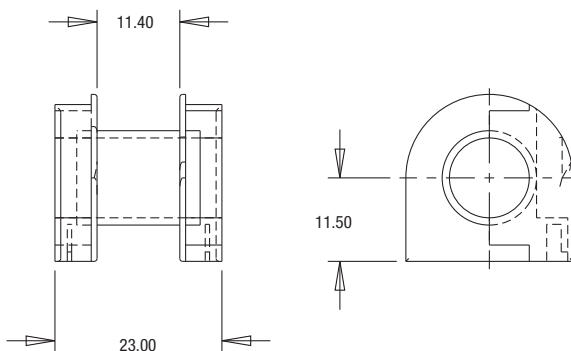
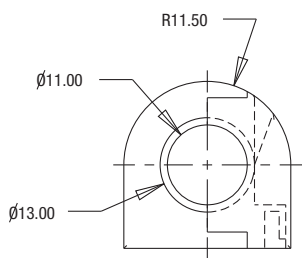
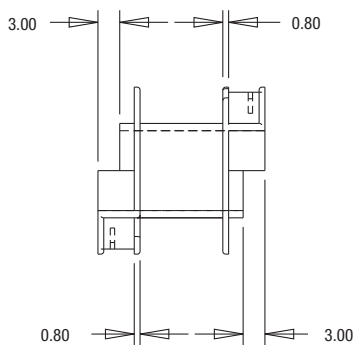




# GAS IGNITION - SINGLE CHAMBER Ø11.0 BORE



GI4740GNNBLK0001



| Description  | Type           | Terminal type  | No. of terminals available | Part No. |
|--------------|----------------|----------------|----------------------------|----------|
| Gas Ignition | Single chamber | TBS 600 Series | 2                          | GI4740   |

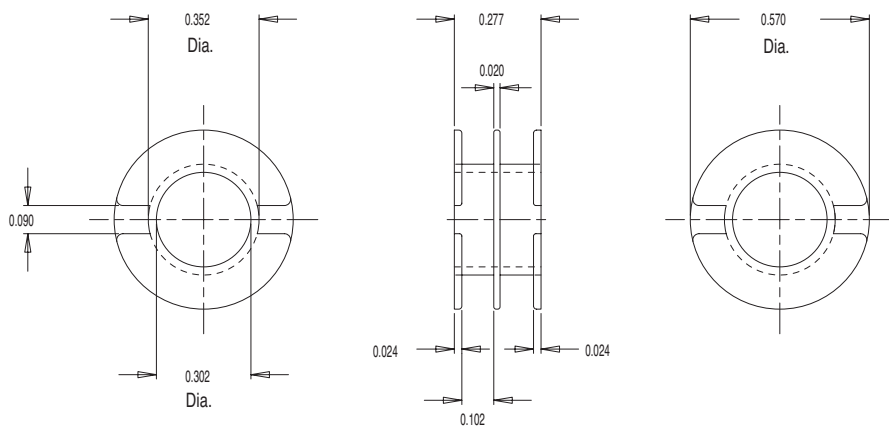
Standard materials: Nylon 66 glass reinforced    Dimensions in millimetres

For further technical information please contact sales@milesplatts.co.uk or www.milesplatts.co.uk





5001



| Description | Type | Terminal type | No. of terminals available | Part No. |
|-------------|------|---------------|----------------------------|----------|
| 5001        | DS   | -             | -                          | VM1200   |

Standard materials: Nylon 66 glass reinforced  
Dimensions in inches

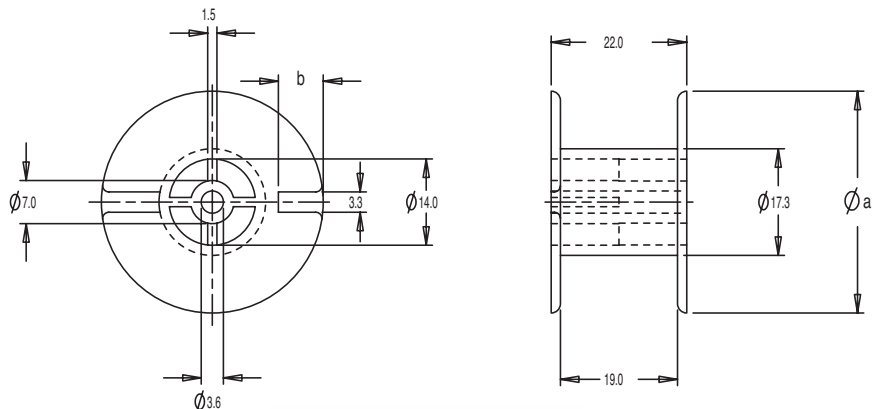
SOLENOID BOBBINS

Miles-Platts hold particular expertise in the manufacture of solenoid bobbins for a variety of industries including automotive, medical, industrial, commercial & vending.

As each bobbin is customer specific and designed specifically for the individual application it is not possible to show all of the products here.

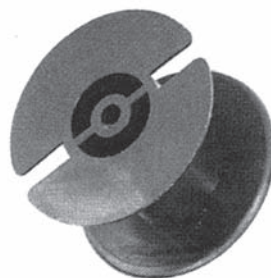
For further details on solenoid bobbin design please refer to [sales@milesplatts.co.uk](mailto:sales@milesplatts.co.uk)

The following bobbins are standard products.



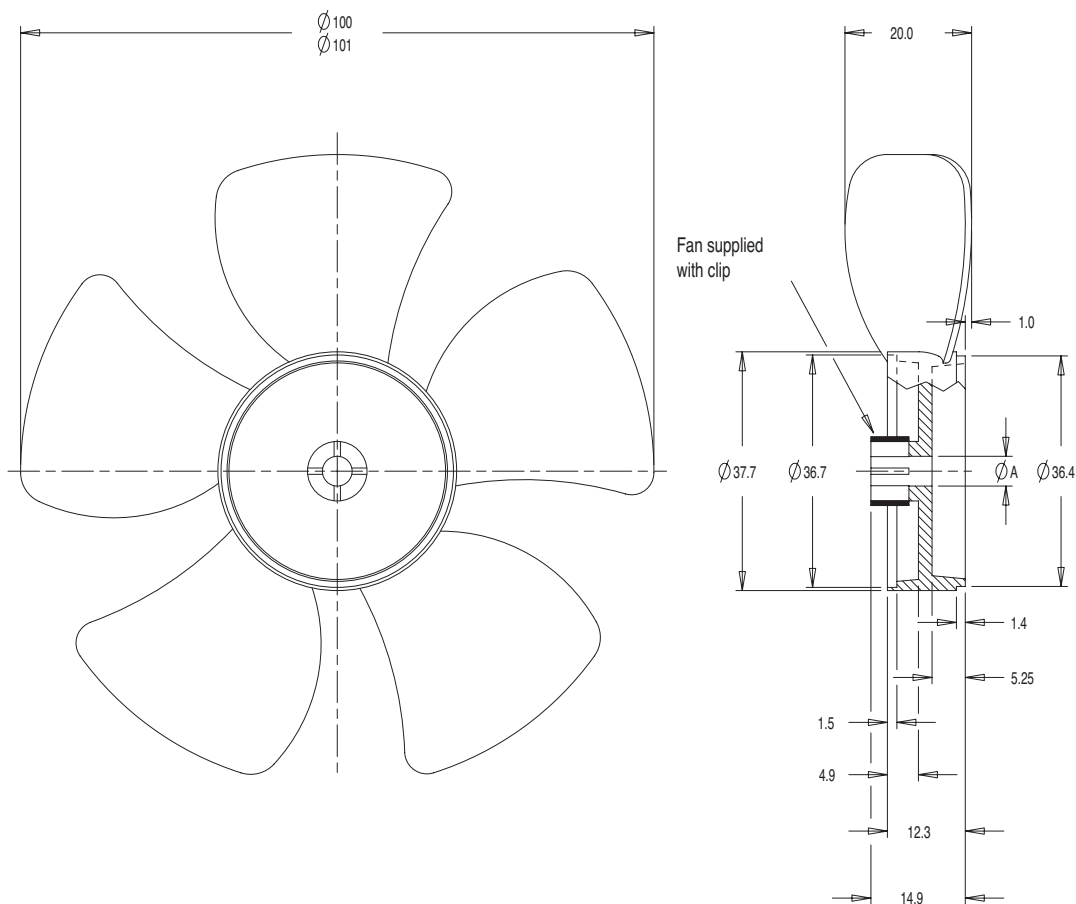
| Bobbin type     | Øa   | b   | Part No. |
|-----------------|------|-----|----------|
| 4275 SOLENOID A | 35.5 | 9.1 | VM1100   |
| 4275 SOLENOID B | 50.4 | 6.5 | VM1101   |
| 4275 SOLENOID C | 69.5 | 6.5 | VM1102   |

Standard materials: Nylon 66 Dimensions in millimetres





## FANS



| Description | Bore Dia. A | Part No. |
|-------------|-------------|----------|
| Fan         | 3.5         | VM4610   |
| Fan         | 3.85        | VM4620   |
| Fan         | 4.7         | VM4630   |
| Fan         | 4.5         | VM4640   |

Standard materials: Nylon 66 Dimensions in millimetres

Miles Platts terminals & wire pins are lead-free - all polymers meet the REACH and RoHS directive (2002/95/EC). Please refer to [www.milesplatts.co.uk](http://www.milesplatts.co.uk) for details.

